

Note: Pin #0 must be connected to the exposed die paddle for QFN packages .

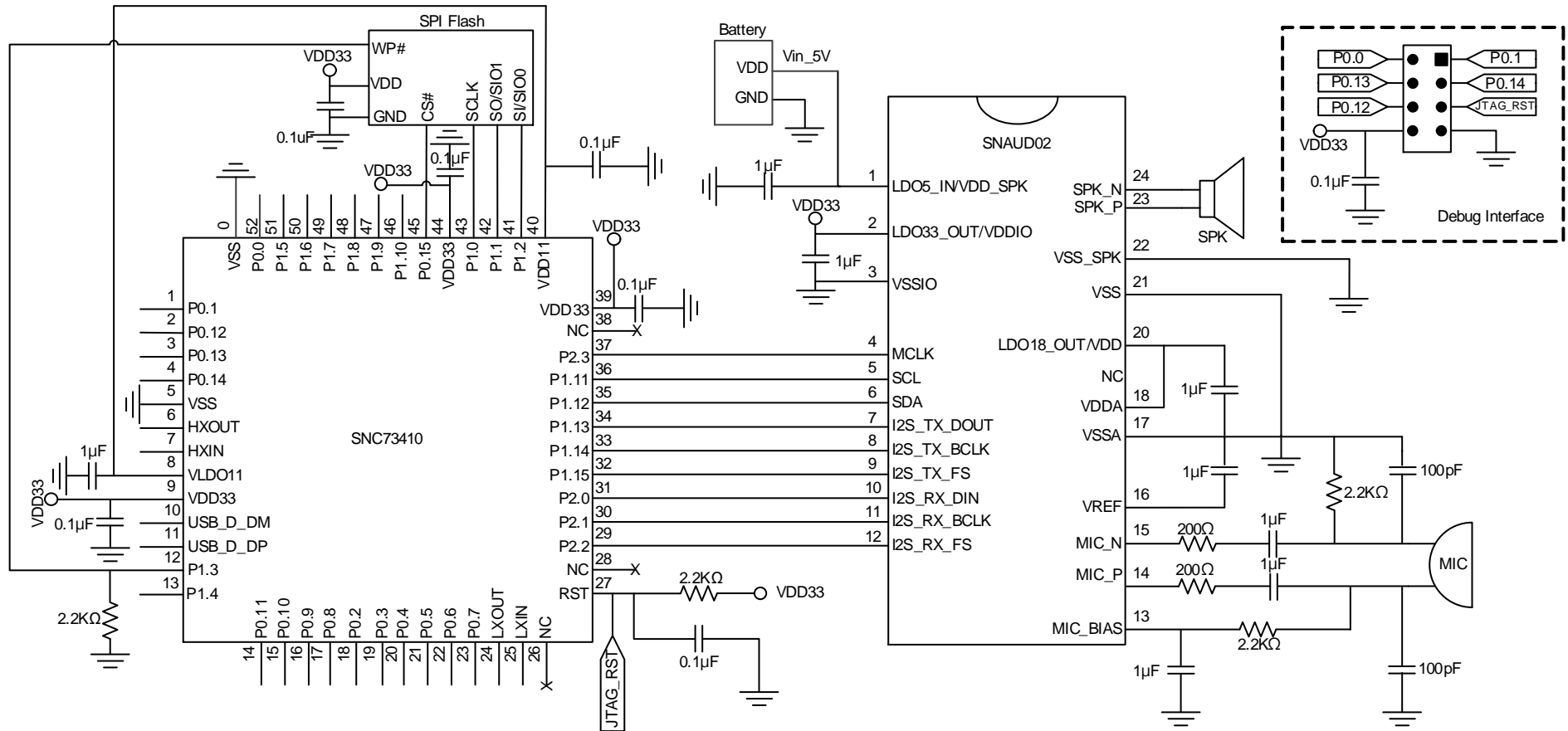


Figure 1 Application Circuit of SNC73410

The information in this appendix is not part of the product specification, and Sonix does not warrant its accuracy or completeness. Users are responsible for determining suitability of components for their purposes, as well as validating and testing the design implementation to confirm system functionality.

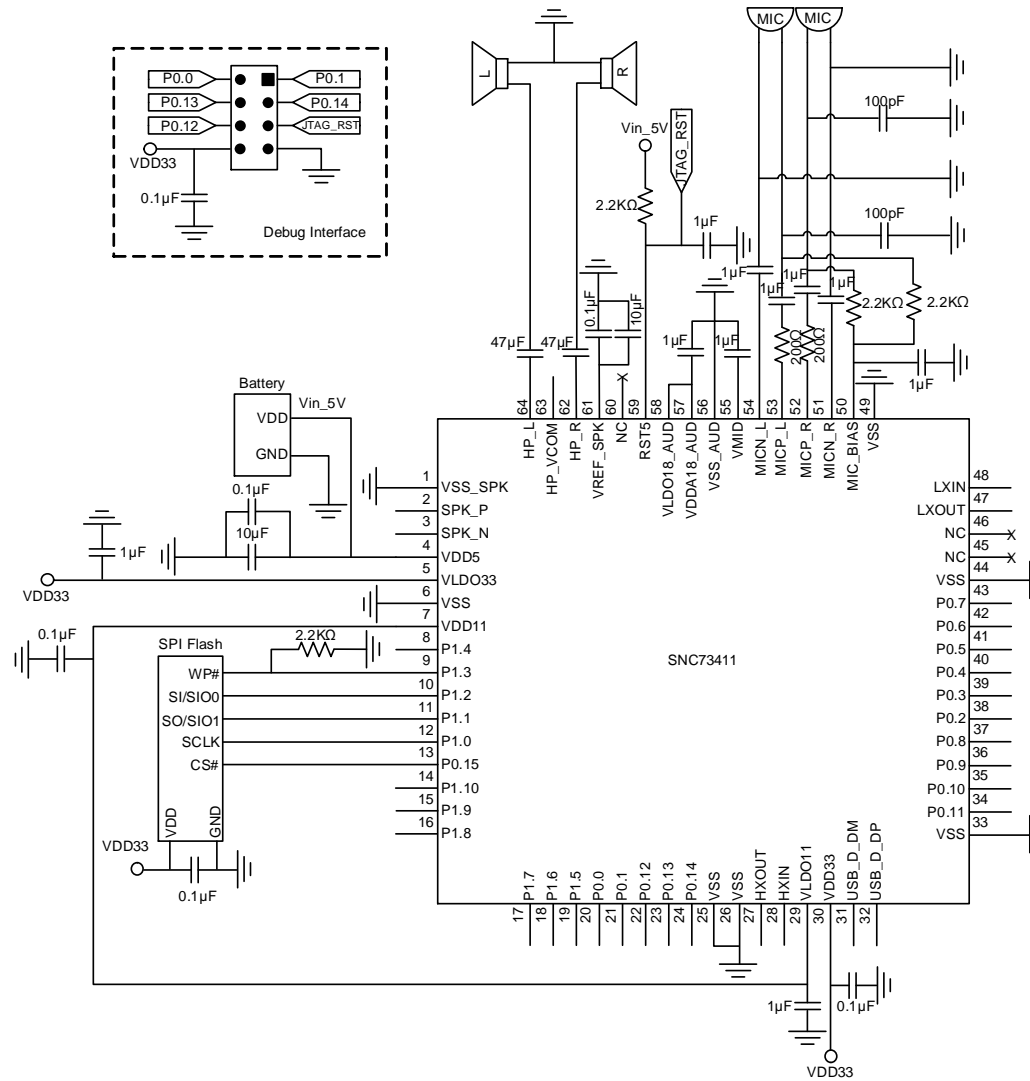


Figure 2 Application Circuit of SNC73411 with Microphone and Headphone in 5V Single-ended Mode

The information in this appendix is not part of the product specification, and Sonix does not warrant its accuracy or completeness. Users are responsible for determining suitability of components for their purposes, as well as validating and testing the design implementation to confirm system functionality.

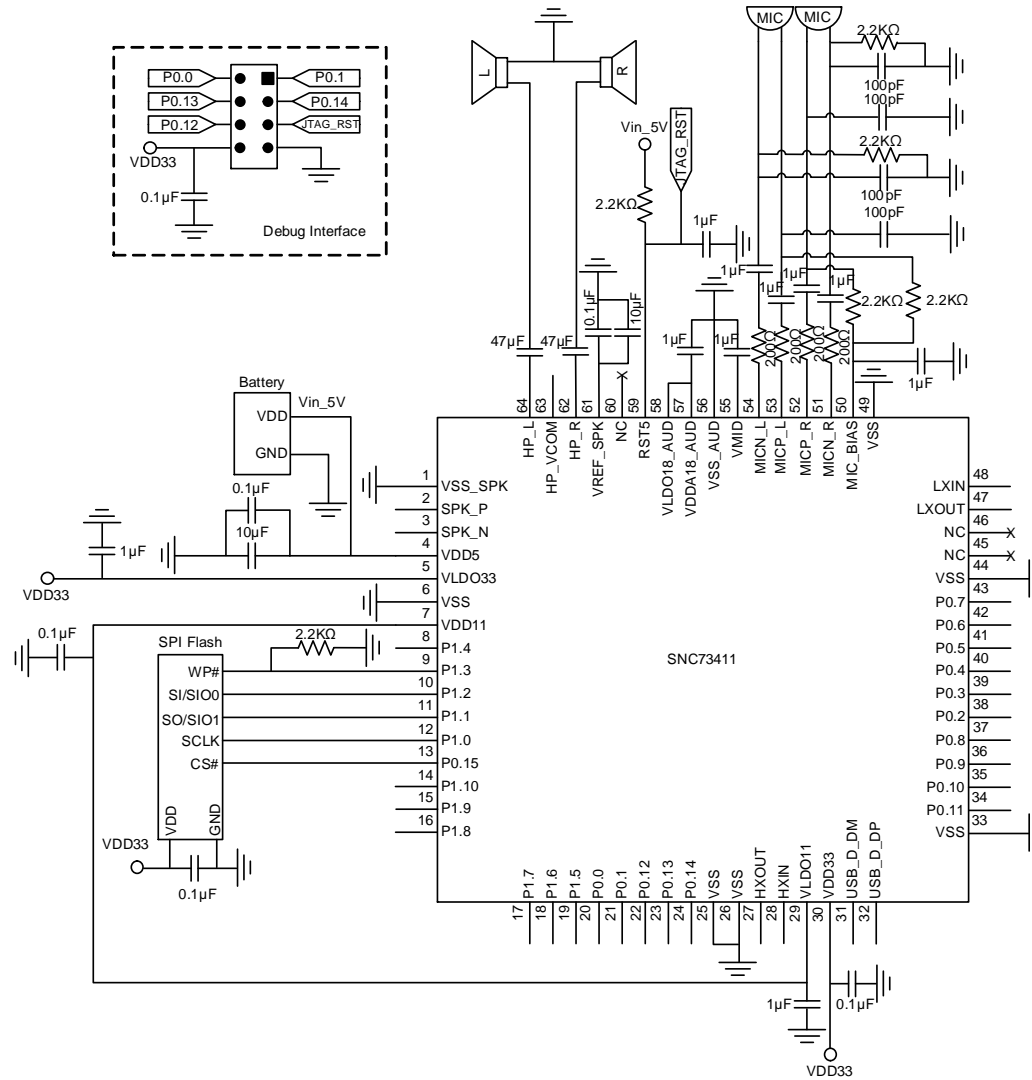


Figure 4 Application Circuit of SNC73411 with Microphone and Headphone in 5V Differential Mode

The information in this appendix is not part of the product specification, and Sonix does not warrant its accuracy or completeness. Users are responsible for determining suitability of components for their purposes, as well as validating and testing the design implementation to confirm system functionality.

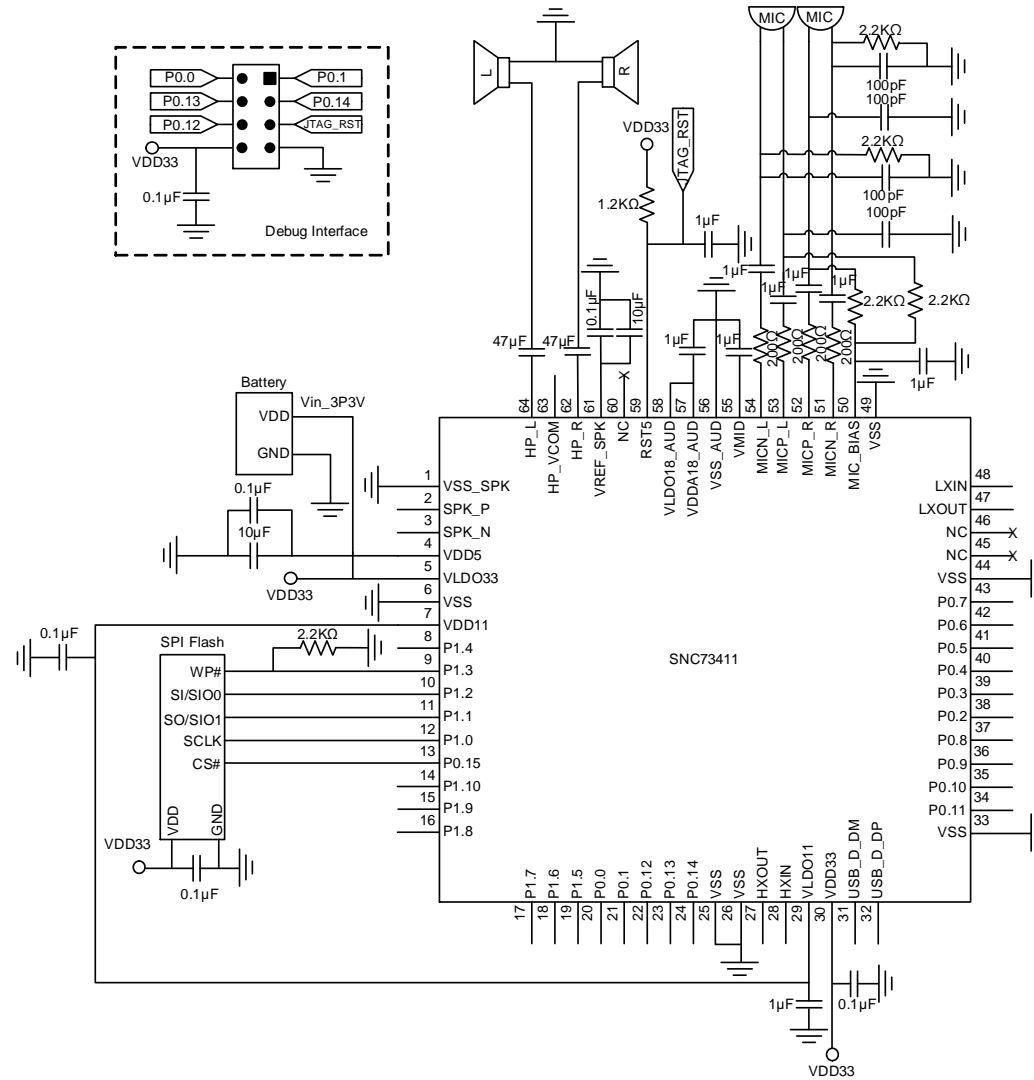


Figure 5 Application Circuit of SNC73411 with Microphone and Headphone in 3.3V Differential Mode

The information in this appendix is not part of the product specification, and Sonix does not warrant its accuracy or completeness. Users are responsible for determining suitability of components for their purposes, as well as validating and testing the design implementation to confirm system functionality.

Note: Pin #0 must be connected to the exposed die paddle for QFN packages

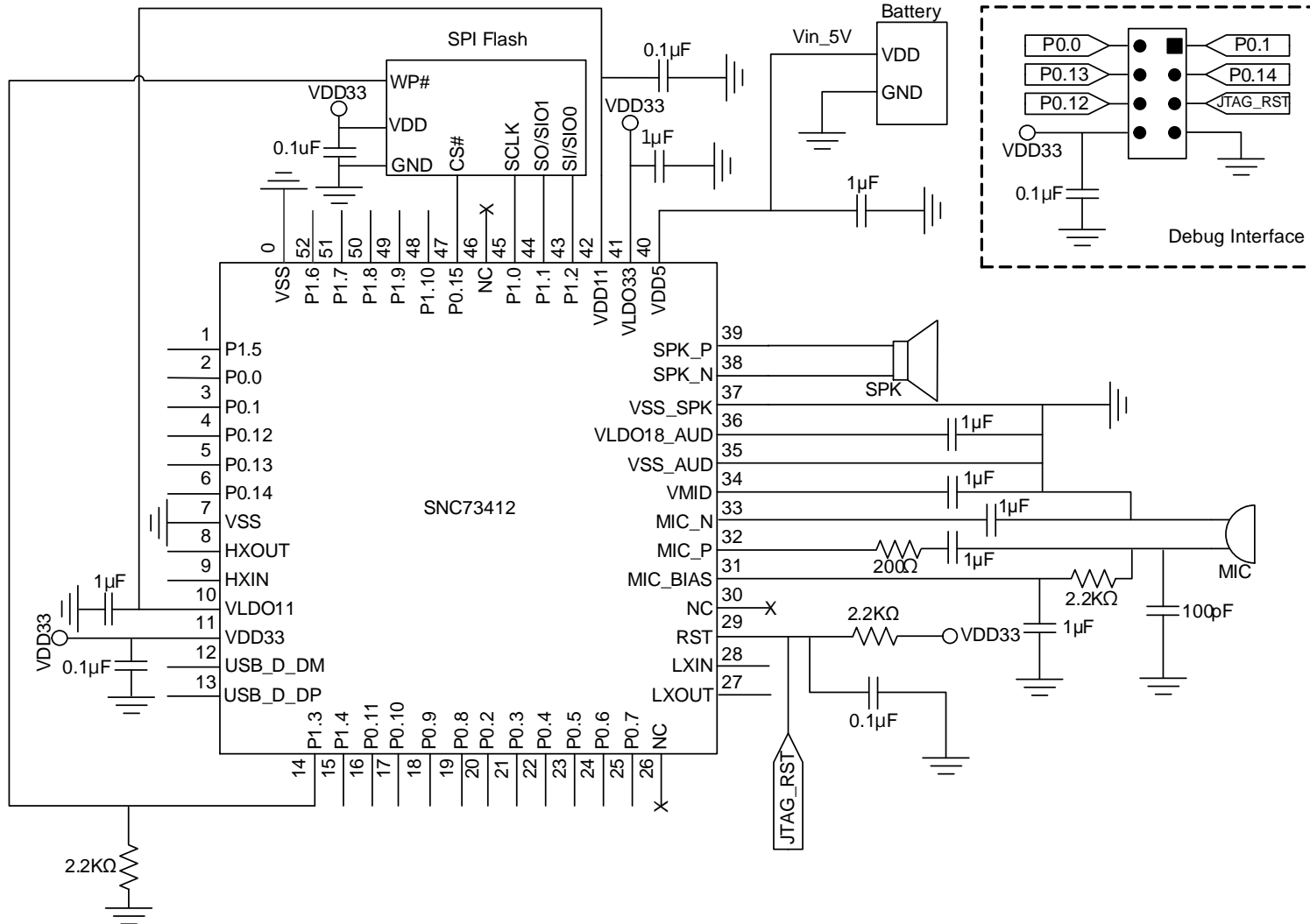


Figure 6 Application Circuit of SNC73412 with Microphone and Speaker in 5V Single-ended Mode

The information in this appendix is not part of the product specification, and Sonix does not warrant its accuracy or completeness. Users are responsible for determining suitability of components for their purposes, as well as validating and testing the design implementation to confirm system functionality.

Note: Pin #0 must be connected to the exposed die paddle for QFN packages

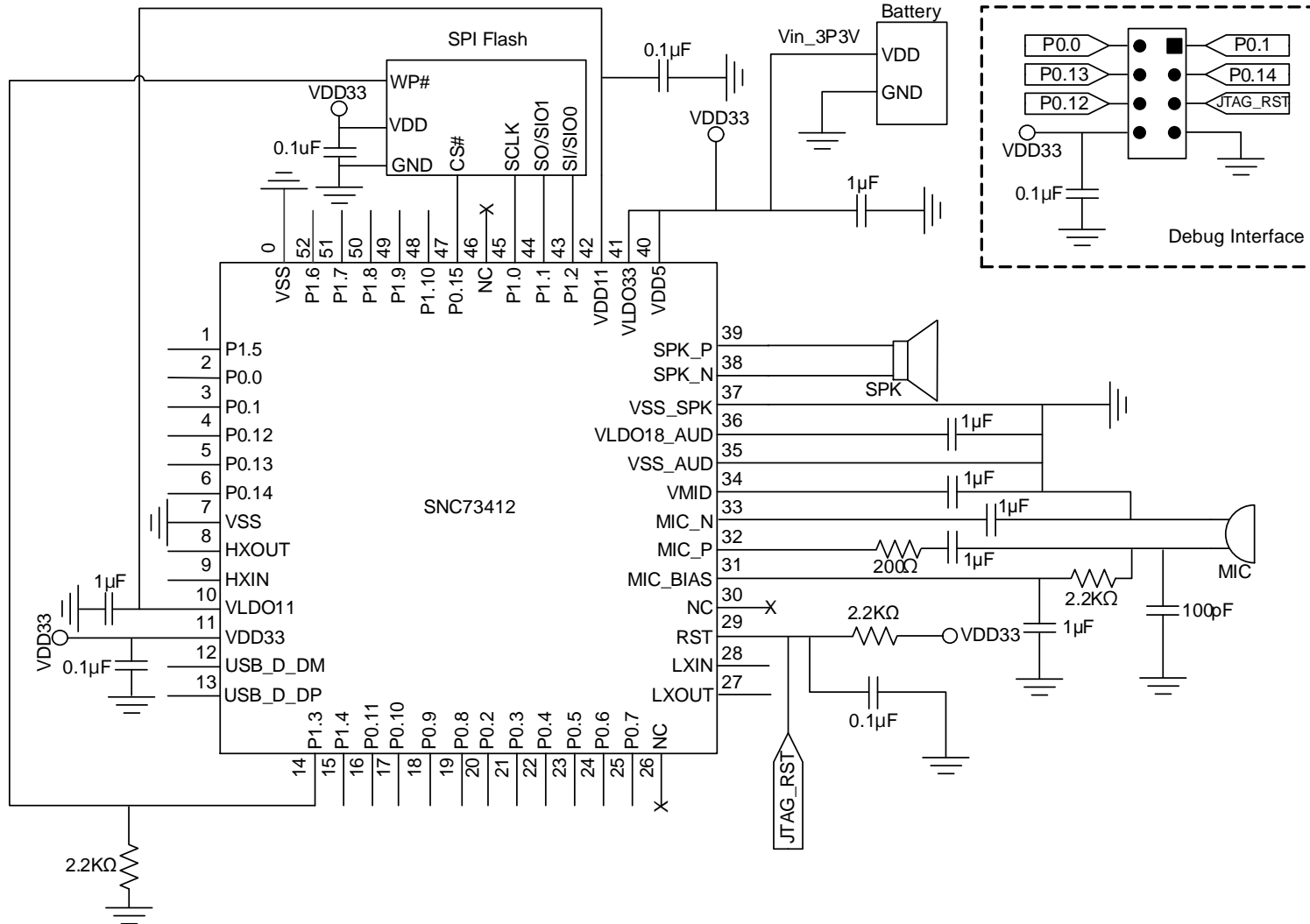


Figure 7 Application Circuit of SNC73412 with Microphone and Speaker in 3.3V Single-ended Mode

The information in this appendix is not part of the product specification, and Sonix does not warrant its accuracy or completeness. Users are responsible for determining suitability of components for their purposes, as well as validating and testing the design implementation to confirm system functionality.

Note: Pin #0 must be connected to the exposed die paddle for QFN packages

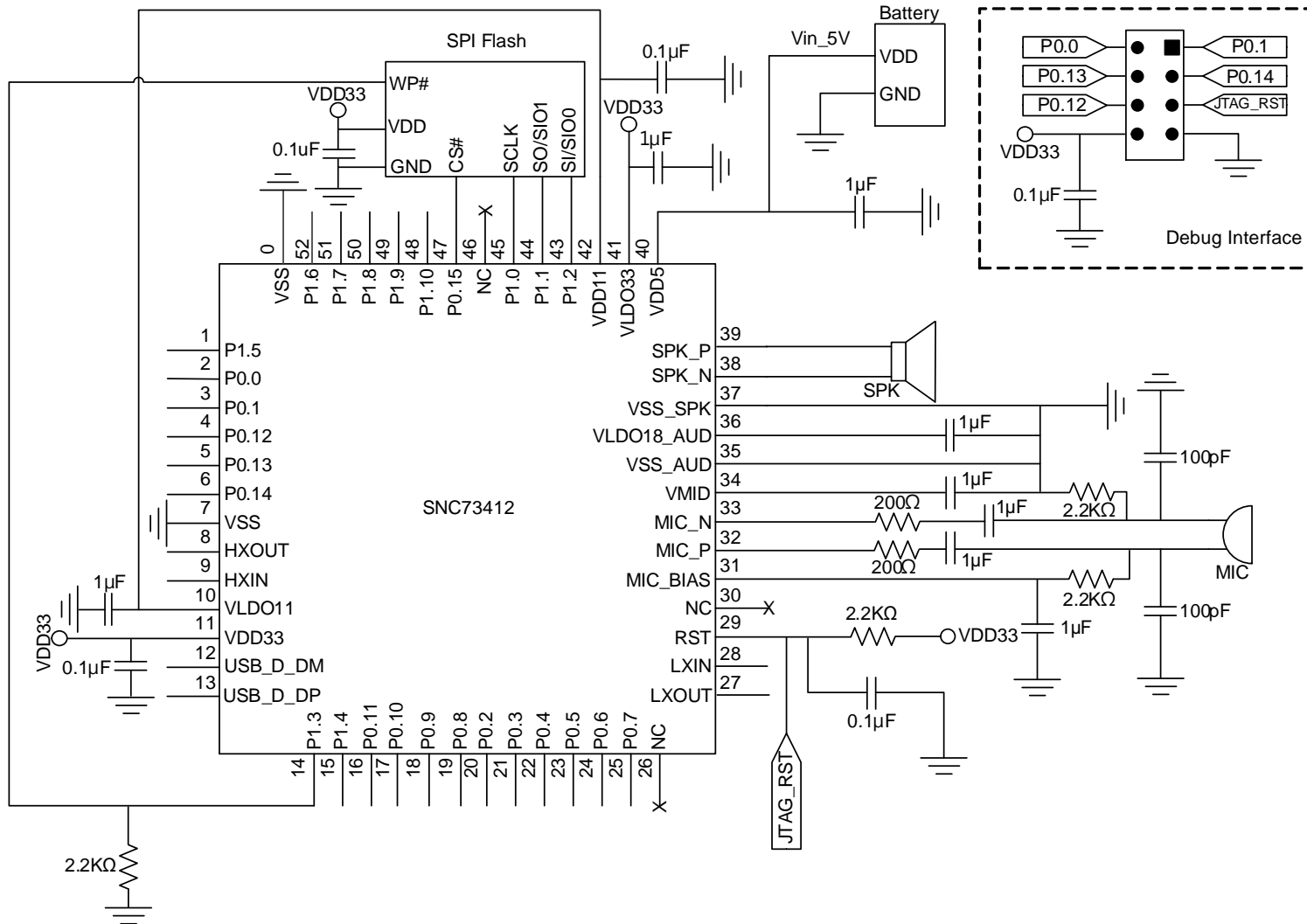


Figure 8 Application Circuit of SNC73412 with Microphone and Speaker in 5V Differential Mode

The information in this appendix is not part of the product specification, and Sonix does not warrant its accuracy or completeness. Users are responsible for determining suitability of components for their purposes, as well as validating and testing the design implementation to confirm system functionality.

Note: Pin #0 must be connected to the exposed die paddle for QFN packages

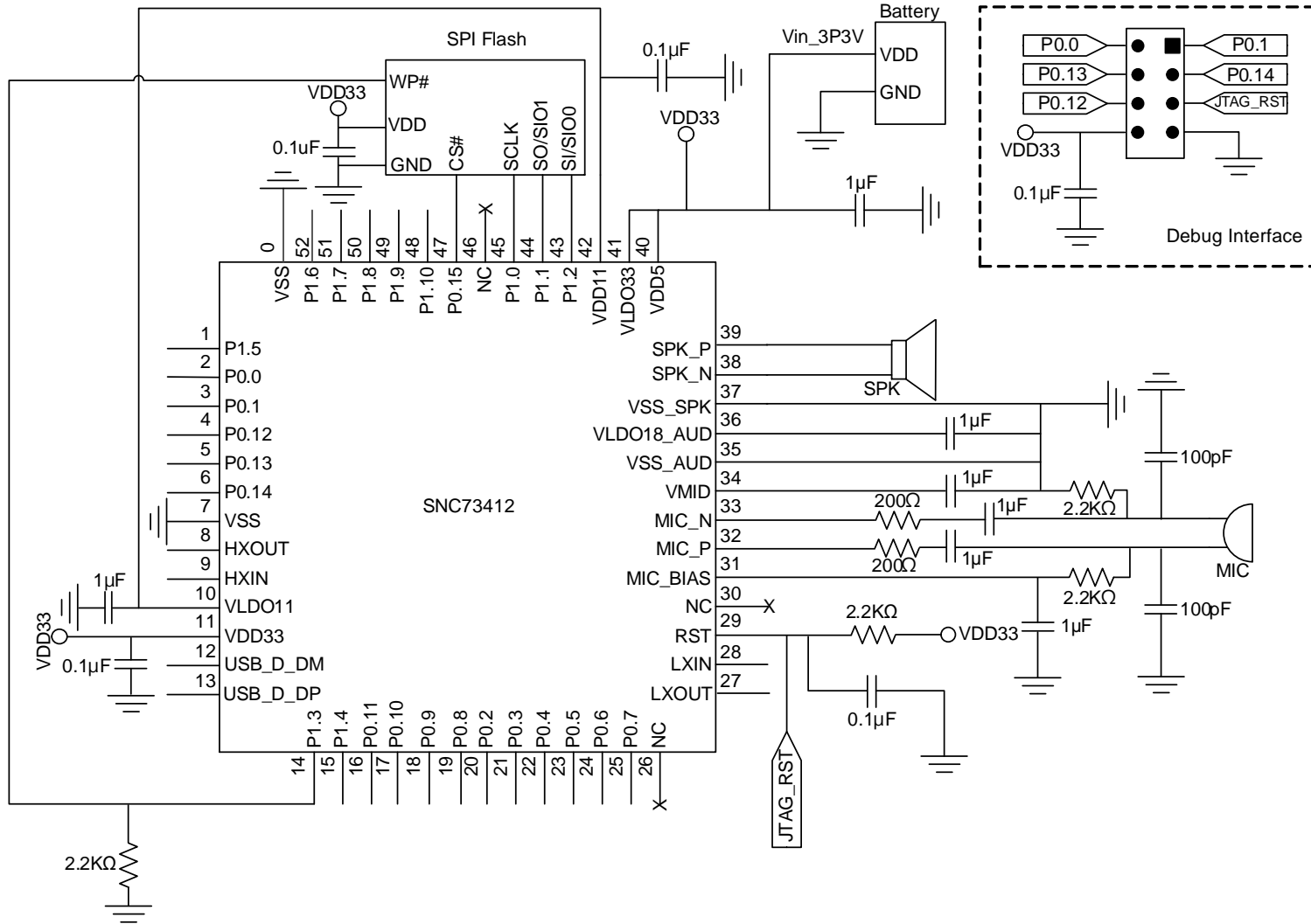


Figure 9 Application Circuit of SNC73412 with Microphone and Speaker in 3.3V Differential Mode

The information in this appendix is not part of the product specification, and Sonix does not warrant its accuracy or completeness. Users are responsible for determining suitability of components for their purposes, as well as validating and testing the design implementation to confirm system functionality.

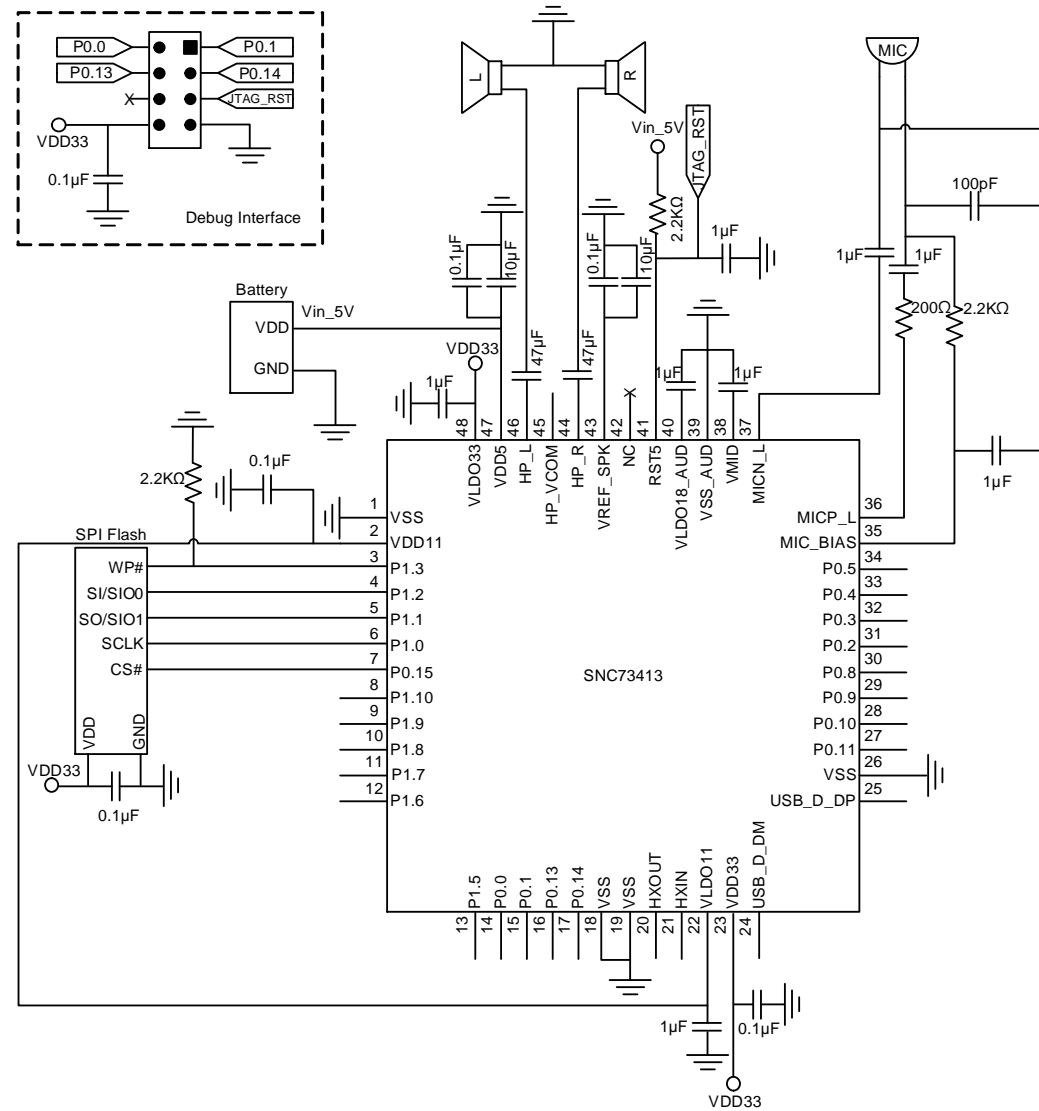


Figure 10 Application Circuit of SNC73413 with Microphone and Headphone in 5V Single-ended Mode

The information in this appendix is not part of the product specification, and Sonix does not warrant its accuracy or completeness. Users are responsible for determining suitability of components for their purposes, as well as validating and testing the design implementation to confirm system functionality.

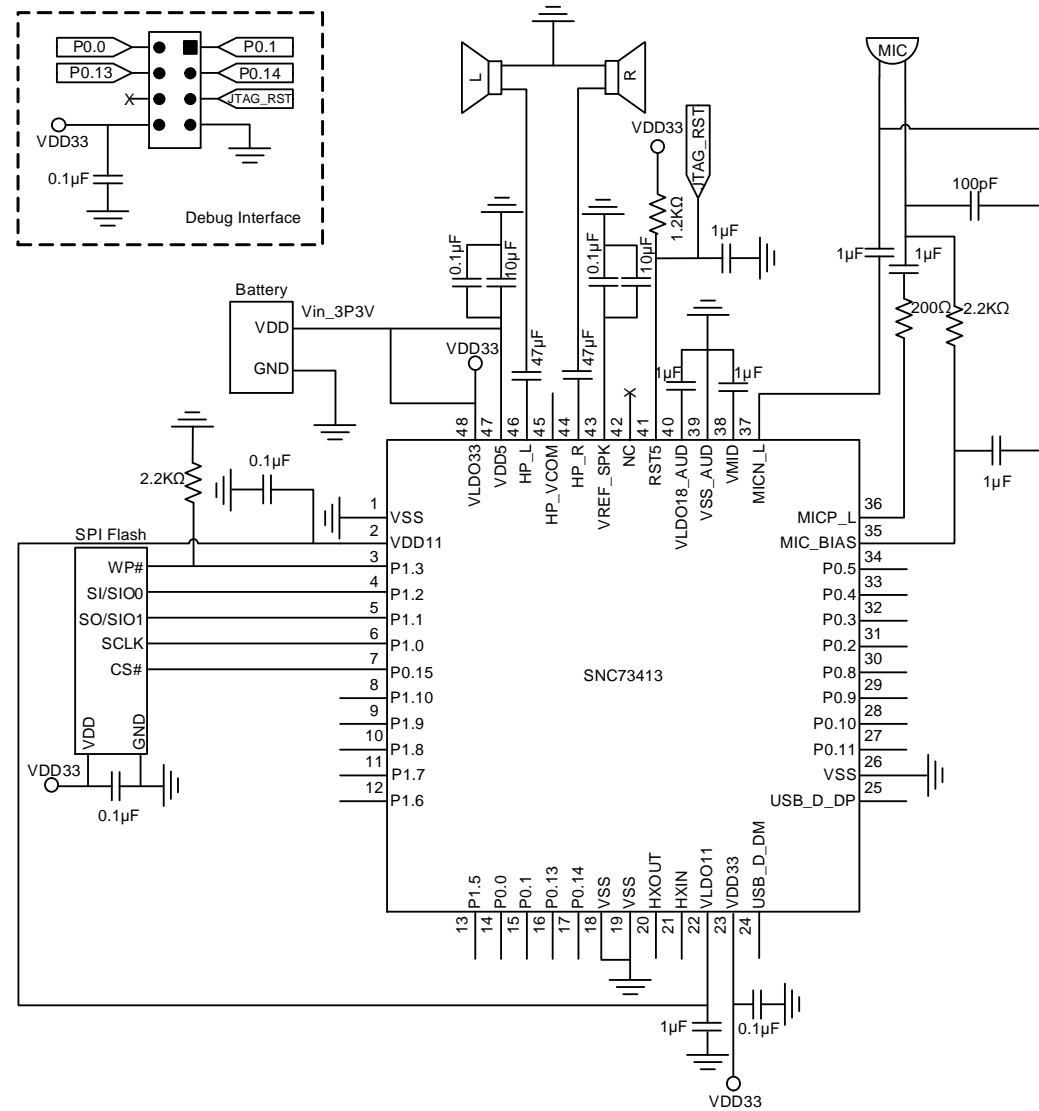


Figure 11 Application Circuit of SNC73413 with Microphone and Headphone in 3.3V Single-ended Mode

The information in this appendix is not part of the product specification, and Sonix does not warrant its accuracy or completeness. Users are responsible for determining suitability of components for their purposes, as well as validating and testing the design implementation to confirm system functionality.

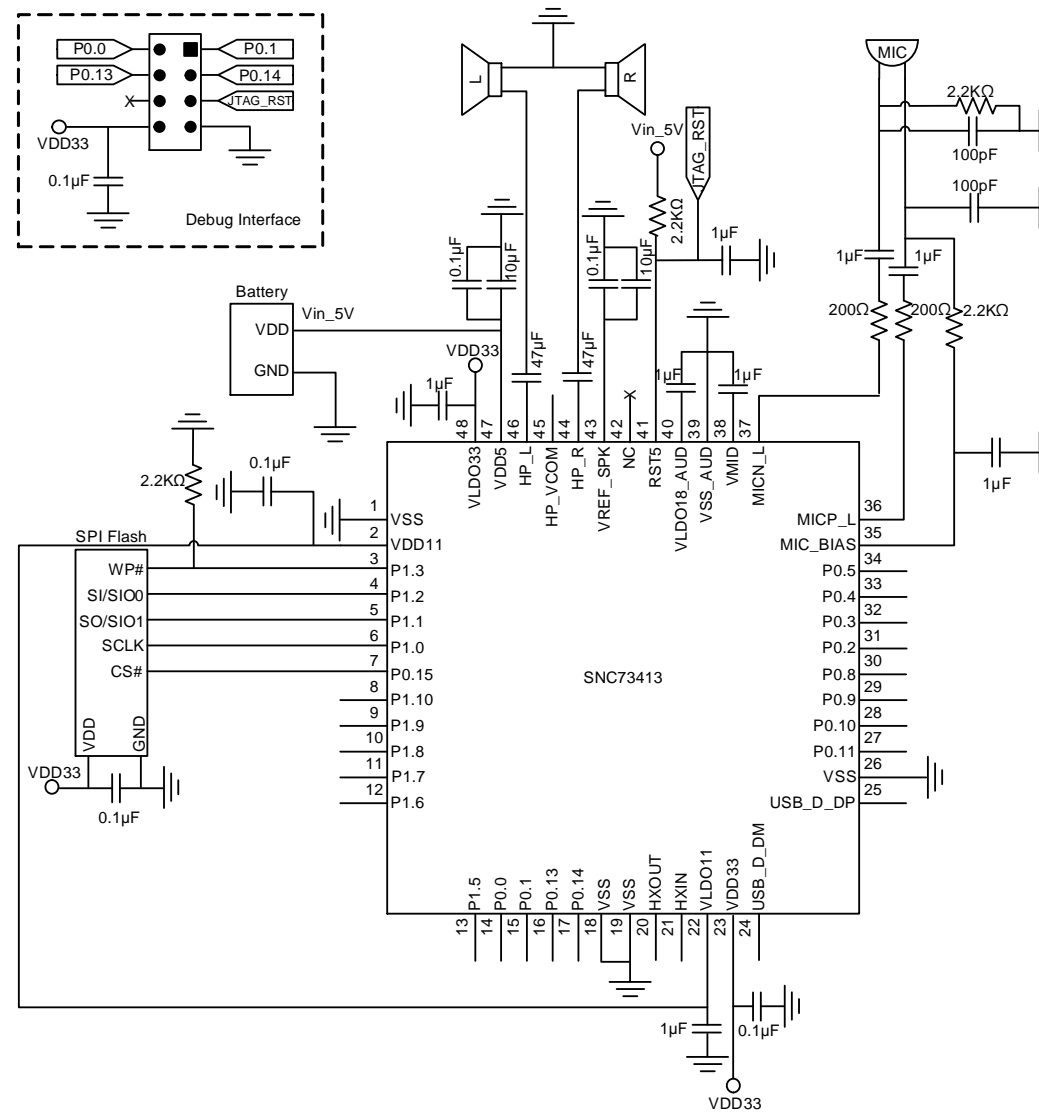


Figure 12 Application Circuit of SNC73413 with Microphone and Headphone in 5V Differential Mode

The information in this appendix is not part of the product specification, and Sonix does not warrant its accuracy or completeness. Users are responsible for determining suitability of components for their purposes, as well as validating and testing the design implementation to confirm system functionality.

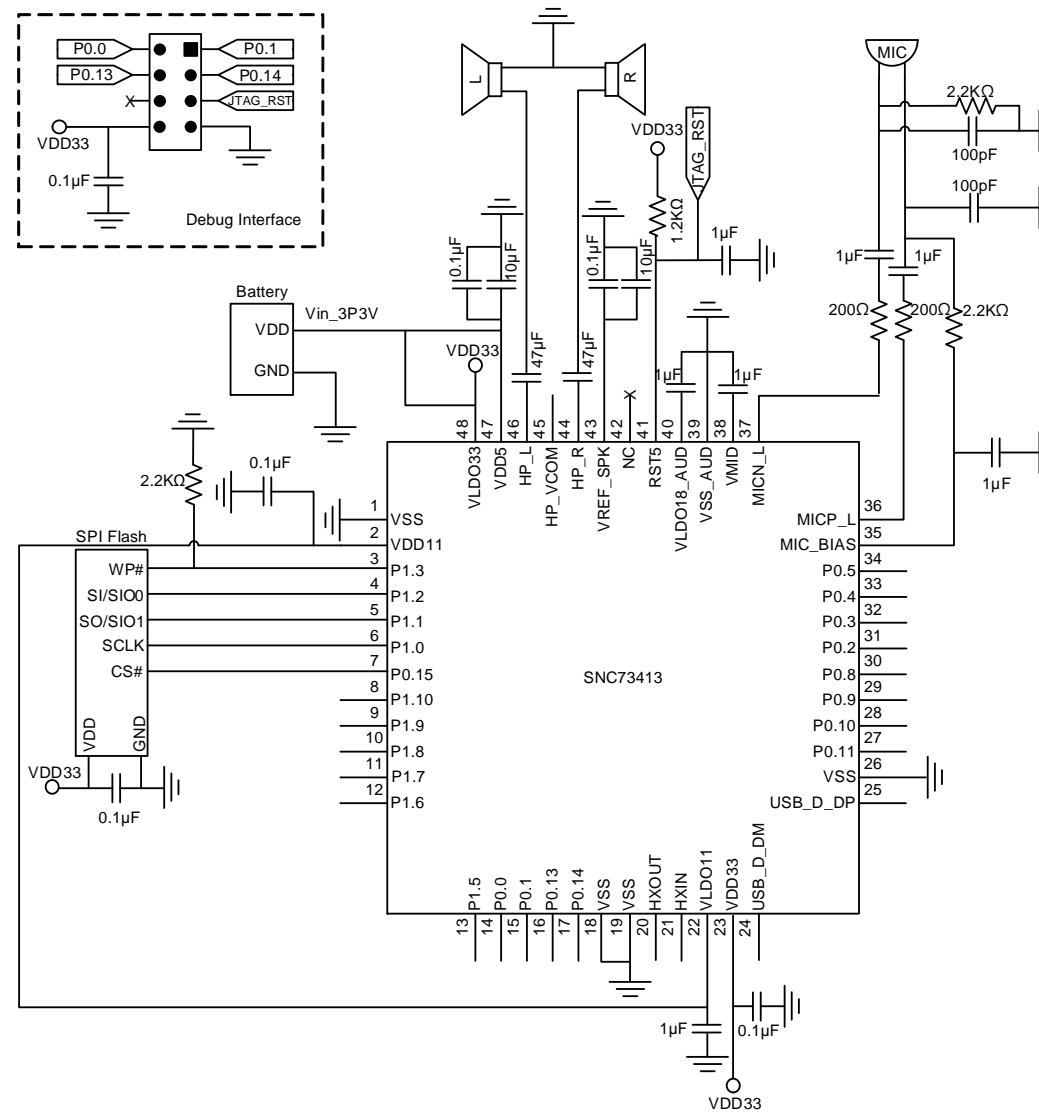


Figure 13 Application Circuit of SNC73413 with Microphone and Headphone in 3.3V Differential Mode

The information in this appendix is not part of the product specification, and Sonix does not warrant its accuracy or completeness. Users are responsible for determining suitability of components for their purposes, as well as validating and testing the design implementation to confirm system functionality.

Revision History

Date	Revision	Description
15-Aug-2023	1.0	Initial release

TERMS AND CONDITIONS¹

1. Content: Sonix Technology Co. Ltd. ("Sonix") provides this information as a convenient reference solely for its customers. While Sonix takes care to prepare this information, it may contain typographical errors or outdated technical information as Sonix continues to update its products with enhancements and improvements. Customers should inquire of the appropriate Sonix representative to obtain the latest relevant information concerning specific Sonix product(s) before placing orders. All Sonix's products are sold subject to Sonix's terms and conditions of sale that are supplied at the time of acceptance by Sonix.

2. No Warranty: The information contained in this document is presented only as a reference for Sonix's customers. Sonix does not warrant or represent that any license, either express or implied, is granted by this document relating to any combination, machine, or process in which Sonix's products are used (or to be used). Information in this document regarding third-party products is not a license for use of such products, or a warranty or endorsement thereof. No license to any intellectual property is granted by this document, whether express or implied, by estoppel or otherwise. Absent a written signed agreement or except as provided in the relevant terms and conditions of sale for a specific product, and to the maximum extent allowable by law, SONIX and its third-party suppliers (1) ALL SONIX PRODUCTS ARE SOLD "AS-IS, WHERE-IS," (2) ASSUME NO LIABILITY WHATSOEVER, INCLUDING WITHOUT LIMITATION, INDIRECT, CONSEQUENTIAL, SPECIAL, OR INCIDENTAL DAMAGES OR LOSS, INCLUDING WITHOUT LIMITATION, LOSS OF PROFITS, LOSS OF OPPORTUNITIES, BUSINESS INTERRUPTION, AND LOSS OF DATA, and (3) DISCLAIM ANY AND ALL EXPRESS OR IMPLIED WARRANTIES AND CONDITIONS RELATED TO SALE, USE OF PRODUCT, OR INFORMATION, INCLUDING WARRANTIES OR CONDITIONS OF MERCHANTABILITY, FITNESS FOR A PARTICULAR PURPOSE, ACCURACY OF INFORMATION, OR NONINFRINGEMENT.

3. Customers' Use: While from time to time Sonix may assist customers with its products, Sonix undertakes no responsibility or liability for its customer's own design, application and use of Sonix's products, including but not limited to: (a) determining the appropriateness of the use of Sonix products in the desired design or application; (b) evaluating and determining the applicability of any information contained in this document, or in charts, diagrams, programs, algorithms, sample application circuits or other referenced documents provided by Sonix; and (c) validating all operating parameters for such designs and applications.

4. Improper & Unintended Use: SONIX'S PRODUCTS ARE NOT INTENDED NOR WARRANTED FOR USE IN OR FOR (1) EQUIPMENTS OR SYSTEMS THAT REQUIRE EXTRAORDINARILY HIGH LEVELS OF QUALITY OR RELIABILITY, OR A MALFUNCTION OR FAILURE OF WHICH MAY CAUSE LOSS OF HUMAN LIFE, BODILY INJURY, SERIOUS PROPERTY DAMAGE, OR SERIOUS PUBLIC IMPACT or (2) ANY PRODUCTS OR SYSTEMS WHOSE MANUFACTURE, USE OR SALE IS PROHIBITED UNDER ANY APPLICABLE LAW OR REGULATIONS ("Unintended Use"). Unintended Use includes, without limitation, equipment used in nuclear facilities, equipment used in the military or aerospace industry, medical equipment, equipment used for automobiles, trains, ships, and other transportation, traffic signaling equipment, equipment used to control combustions or explosions, safety devices, elevators, and escalators, devices related to electric power, and equipment used in finance-related fields. Users acknowledge and agree that any Unintended Use of Sonix products is solely at the user's own risk and without recourse to Sonix or any of its suppliers, agents or representatives in connection therewith.

¹ The information contained in this document is the property of Sonix, and none of it may be used, reproduced or distributed without the express written permission by Sonix.

Sonix Technology Co., Ltd.

Headquarter

10F-1, No. 36, Taiyuan Street,
Zhubei City, Hsinchu County, Taiwan
Tel: +886-3-5600-888
Fax: +886-3-5600-889
<http://www.sonix.com.tw/masterpage-en>

Japan Office

Kobayashi Bldg. 2F,
4-8-27 Kudanminami, Chiyodaku,
Tokyo 102-0074, Japan
Tel: +81-3-6272-6070
Fax: +81-3-6272-6165
jpsales@sonix.com.tw

Shenzhen Office

26F, Zhongliang Ziyun Building,
Xin'an 2nd Road, Bao'an District,
Shenzhen City, China
Tel: +86-755-2671-9666
Fax: +86-755-2671-9786
mkt@sonix.com.tw | sales@sonix.com.tw

United States Representative

Tim Lightbody
Tel: +1-714-330-9877
usa@sonix.com.tw

Taipei Office

15F-2, No. 171, Songde Road,
Xinyi District, Taipei City, Taiwan
Tel: +886-2-2759-1980
Fax: +886-2-2759-8180
mkt@sonix.com.tw | sales@sonix.com.tw

Hong Kong Office

Unit 2603, 26F CCT Telecom Building,
No. 11, Wo Shing Street, Fo Tan,
New Territories, Hong Kong
Tel: +852-2723-8086
Fax: +852-2723-9179
hk@sonix.com.tw

Chengdu Office

8F, B6 Building, Tianfu Software Park,
No. 99, Tianhua 1st Road, Hi-tech Zone,
Chengdu City, China
Tel: +86-28-8533-1818
Fax: +86-28-8533-1816
mkt@sonix.com.tw | sales@sonix.com.tw