

 **SONiX Technology Co., Ltd.**

# SN8F5910 Family Packaging Information V1.1

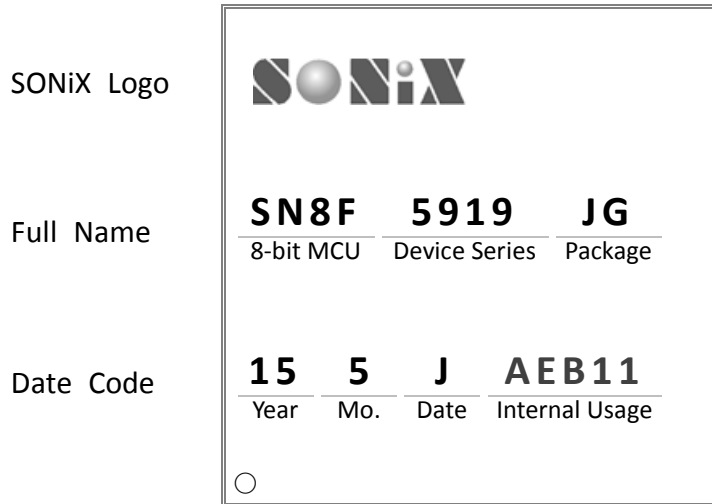
---

8051-based Microcontroller

## 1 Overview of Packaging Information

This documentation introduces SN8F5910 family microcontrollers' mechanical data, such as height, width and pitch information.

In general, every SONiX microcontroller displays three columns: logo, device's full name and date code. The full name's package field maps to its package type; whereas the date code records the date of manufacture.



### Date Code

---

Year      15: 2015  
             16: 2016  
             17: 2017  
             et cetera

---

Month     1: January  
             2: February  
             3: March  
             A: October  
             B: November  
             C: December  
             et cetera

---

Date       1: 01  
             2: 02  
             3: 03  
             A: 10  
             B: 11  
             et cetera

---

## **2 Table of Contents**

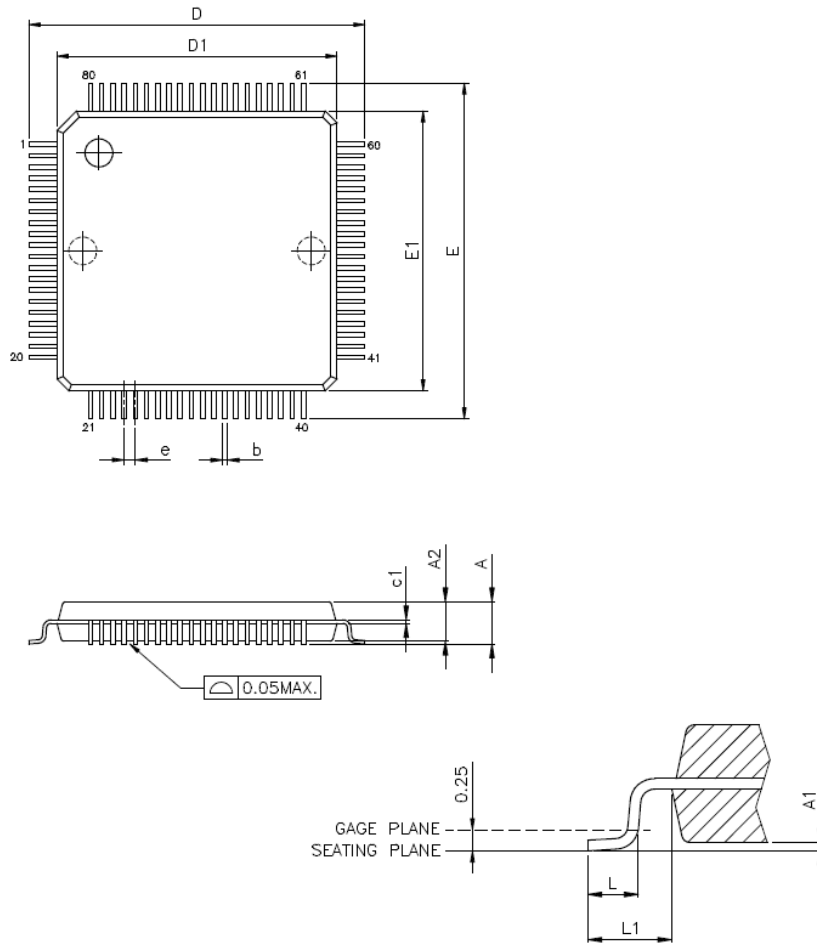
1	Overview of Packaging Information .....	2
2	Table of Contents .....	3
3	Revision History.....	4
4	LQFP (FG).....	錯誤! 尚未定義書籤。

### 3 Revision History

Revision	Date	Description
1.0	Oct. 2017	First issue.

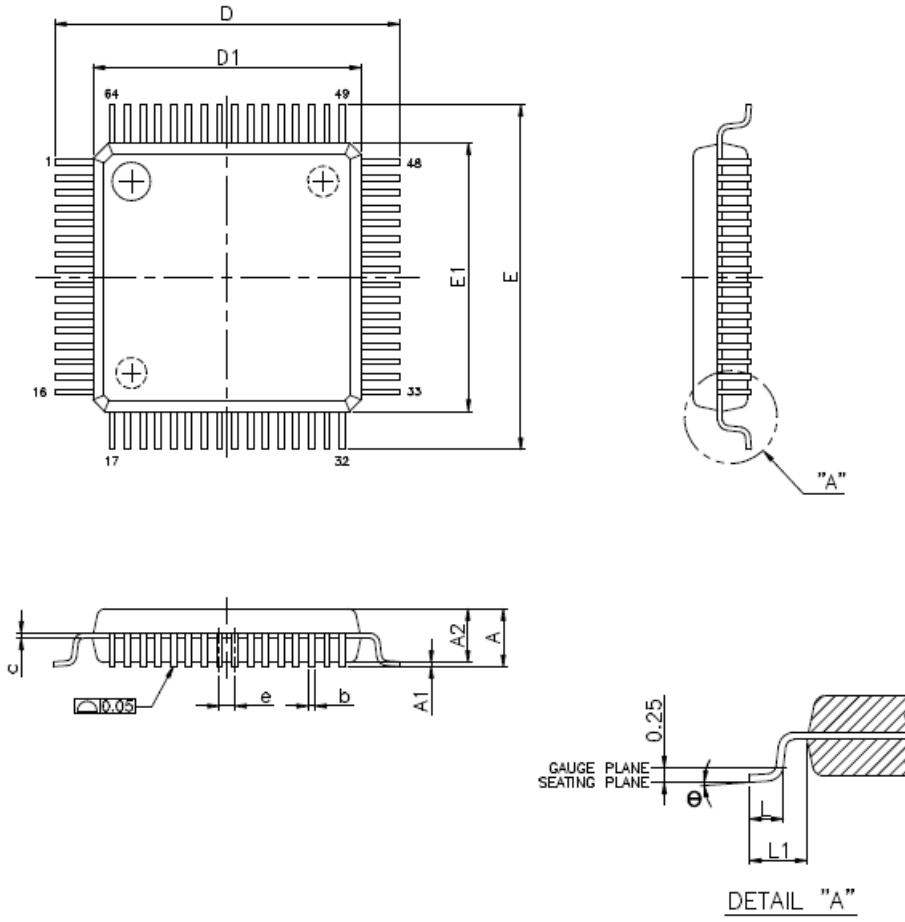
SONIX reserves the right to make change without further notice to any products herein to improve reliability, function or design. SONIX does not assume any liability arising out of the application or use of any product or circuit described herein; neither does it convey any license under its patent rights nor the rights of others. SONIX products are not designed, intended, or authorized for use as components in systems intended, for surgical implant into the body, or other applications intended to support or sustain life, or for any other application in which the failure of the SONIX product could create a situation where personal injury or death may occur. Should Buyer purchase or use SONIX products for any such unintended or unauthorized application. Buyer shall indemnify and hold SONIX and its officers, employees, subsidiaries, affiliates and distributors harmless against all claims, cost, damages, and expenses, and reasonable attorney fees arising out of, directly or indirectly, any claim of personal injury or death associated with such unintended or unauthorized use even if such claim alleges that SONIX was negligent regarding the design or manufacture of the part.

**3.1 LQFP80**



	Min	Typical (inch)	Max	Min	Typical (mm)	Max
A			0.063			1.6
A1	0.002		0.006	0.05		0.15
A2	0.053		0.057	1.35		1.45
c1	0.004		0.006	0.09		0.16
D		0.473 BSC			12 BSC	
D1		0.393 BSC			10 BSC	
E		0.473 BSC			12 BSC	
E1		0.393 BSC			10 BSC	
e		0.016 BSC			0.4 BSC	
B	0.005		0.009	0.13		0.23
L	0.018		0.030	0.45		0.75
L1		0.039 REF			1.00 REF	

**3.2 LQFP64**



	Min	Typical (inch)	Max	Min	Typical (mm)	Max
A			0.063			1.6
A1	0.002		0.006	0.05		0.15
A2	0.053		0.057	1.35		1.45
c	0.004		0.008	0.09		0.20
D		0.354 BSC			9 BSC	
D1		0.276 BSC			7 BSC	
E		0.354 BSC			9 BSC	
E1		0.276 BSC			7 BSC	
e		0.016 BSC			0.4 BSC	
b	0.005		0.009	0.13		0.23
L	0.018		0.030	0.45		0.75
L1		0.039 REF			1.00 REF	

# SN8F5910 Family Packaging Information

## 8051-based Microcontroller

### **Corporate Headquarters**

10F-1, No. 36, Taiyuan St.  
Chupei City, Hsinchu, Taiwan  
TEL: +886-3-5600888  
FAX: +886-3-5600889

### **Taipei Sales Office**

15F-2, No. 171, Songde Rd.  
Taipei City, Taiwan  
TEL: +886-2-27591980  
FAX: +886-2-27598180  
mkt@sonix.com.tw  
sales@sonix.com.tw

### **Hong Kong Sales Office**

Unit 2603, No. 11, Wo Shing St.  
Fo Tan, Hong Kong  
TEL: +852-2723-8086  
FAX: +852-2723-9179  
hk@sonix.com.tw

### **Shenzhen Contact Office**

High Tech Industrial Park,  
Shenzhen, China  
TEL: +86-755-2671-9666  
FAX: +86-755-2671-9786  
mkt@sonix.com.tw  
sales@sonix.com.tw

### **USA Office**

TEL: +1-714-3309877  
TEL: +1-949-4686539  
tlightbody@earthlink.net

### **Japan Office**

2F, 4 Chome-8-27 Kudanminami  
Chiyoda-ku, Tokyo, Japan  
TEL: +81-3-6272-6070  
FAX: +81-3-6272-6165  
jpsales@sonix.com.tw

### **FAE Support via email**

8-bit Microcontroller Products:  
sa1fae@sonix.com.tw  
All Products: fae@sonix.com.tw