

SONiX SONiX Technology Co., Ltd.

SN8F5849 Series Starter-Kit User Manual

8051-based
Microcontroller

1 Overview of Starter Kit

SN8F5840 Starter-Kit provides easy-development platform. It includes SN8F5840 family real chip and I/O connectors to input signal or drive device of user's application. It is a simple platform to develop application as target board not ready. The Starter-Kit can be replaced by target board, because SN8F5840 family integrates embedded ICE in-circuit debugger circuitry.

1.1 Development Environment

SN8F5840 debug tool cooperate with Keil C51 which includes integrated development environment (IDE, Keil μ Vision), C51/A51 compilers and BL51 linker. See detailed documentation of SN8F5840 Debug Tool User Manual (download on www.sonix.com.tw).

1.2 Development Environment

These configurations must be setup completely before starting Starter-Kit developing.

1. Confirm to the circuit board whether elements are complete.
2. The power source of Starter-Kit circuit is 3.3V.
3. The "XIN" pin and the "XOUT" pin need to connect crystal/resonator oscillator components when timer clock is setting X'tal or T0 Timer setting RTC mode.
4. The Debug port can connect SN-LINK adapter for emulation or download code.
5. The MCU LED will light up and SN8F5840 family chip will be connected to power when power (VDD) is switched on.

2 Table of Contents

1	Overview of Starter Kit	2
2	Table of Contents	3
3	Revision History	4
4	SN8F5849 Starter-Kit	5

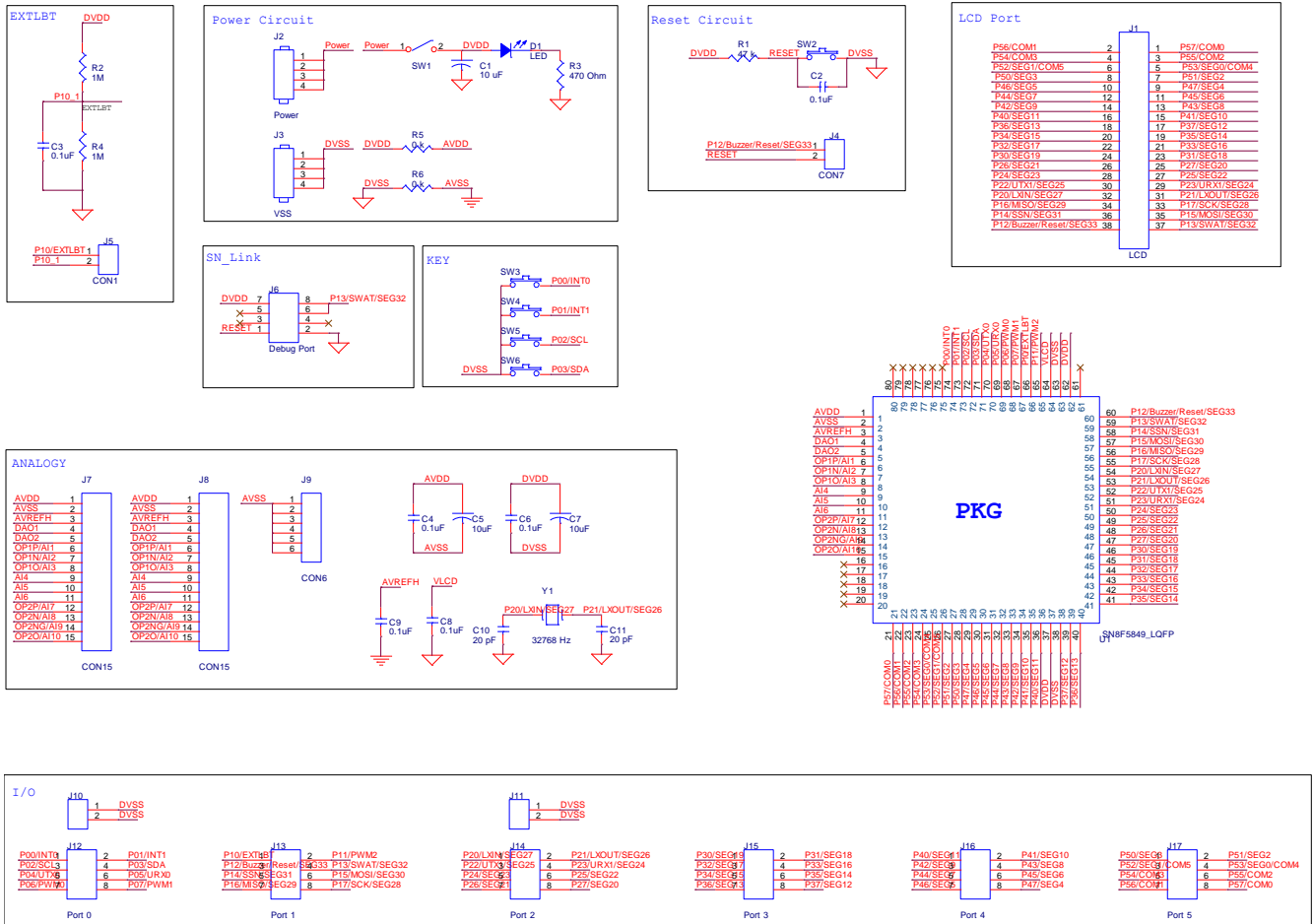
3 Revision History

Revision	Date	Description
1.0	Oct 2020	First issue.

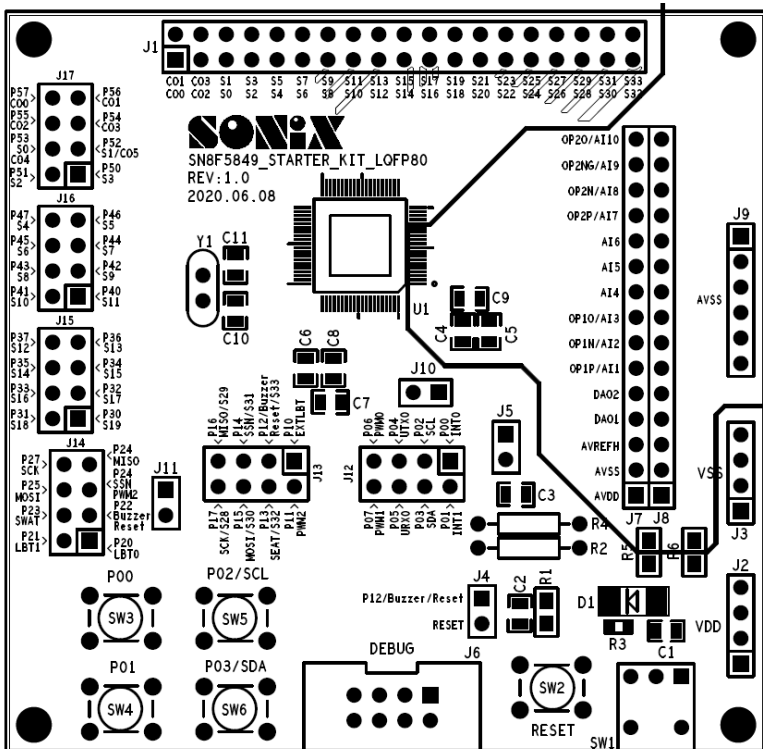
SONIX reserves the right to make change without further notice to any products herein to improve reliability, function or design. SONIX does not assume any liability arising out of the application or use of any product or circuit described herein; neither does it convey any license under its patent rights nor the rights of others. SONIX products are not designed, intended, or authorized for use as components in systems intended, for surgical implant into the body, or other applications intended to support or sustain life, or for any other application in which the failure of the SONIX product could create a situation where personal injury or death may occur. Should Buyer purchase or use SONIX products for any such unintended or unauthorized application. Buyer shall indemnify and hold SONIX and its officers, employees, subsidiaries, affiliates and distributors harmless against all claims, cost, damages, and expenses, and reasonable attorney fees arising out of, directly or indirectly, any claim of personal injury or death associated with such unintended or unauthorized use even if such claim alleges that SONIX was negligent regarding the design or manufacture of the part.

4 SN8F5849 Starter-Kit

4.1 Schematic



4.2 Floor Plan of PCB layout



4.3 Component Description

Number	Description
C8	VLCD function capacitor.
C9	AVREFH function capacitor.
J5	LBT function connector.
R2,R4,C3	LBT capacitor and resisters.
C4,C5	AVDD power regulators capacitance.
C6,C7	DVDD power regulators capacitance.
J2,J3	Power source.
J7,J8	ADC Function pin.
J9	AVSS pin.
J10-J11	DVSS pin.
D1,R3,C1	MCU LED and resister and capacitor.
J12-J17	I/O connector.
SW3-SW6	I/O button.
R5,R6	0 ohm resisters.
J1	LCD function connector.
SW2,R1,C2	External reset trigger source
J4	External reset trigger function connector.
Y1,C10,C11	External crystal/resonator oscillator components.
SW1	Target power (VDD) switch.
J6	Debug Port
U1	SN8F5849 real chip (Sonix standard option).

SN8F5849 Series Starter-Kit User Manual

8051-based Microcontroller

Corporate Headquarters

10F-1, No. 36, Taiyuan St.
Chupei City, Hsinchu, Taiwan
TEL: +886-3-5600888
FAX: +886-3-5600889

Taipei Sales Office

15F-2, No. 171, Songde Rd.
Taipei City, Taiwan
TEL: +886-2-27591980
FAX: +886-2-27598180
mkt@sonix.com.tw
sales@sonix.com.tw

Hong Kong Sales Office

Unit 2603, No. 11, Wo Shing St.
Fo Tan, Hong Kong
TEL: +852-2723-8086
FAX: +852-2723-9179
hk@sonix.com.tw

Shenzhen Contact Office

High Tech Industrial Park,
Shenzhen, China
TEL: +86-755-2671-9666
FAX: +86-755-2671-9786
mkt@sonix.com.tw
sales@sonix.com.tw

USA Office

TEL: +1-714-3309877
TEL: +1-949-4686539
tlightbody@earthlink.net

Japan Office

2F, 4 Chome-8-27 Kudanminami
Chiyoda-ku, Tokyo, Japan
TEL: +81-3-6272-6070
FAX: +81-3-6272-6165
jpsales@sonix.com.tw

FAE Support via email

8-bit Microcontroller Products:
sa1fae@sonix.com.tw
All Products: fae@sonix.com.tw