

SN98680 Series

Multimedia Network Platform

Overview

The SN98680 Series is ARM926EJ-S-based, operating at a frequency of up to 402 MHz. It supports H.264 and MJPEG codecs, image input through parallel/MIPI interface or USB host, and LCD/TV output interface. To maximize the performance of the ARM core, an UVC ISO accelerator of USB host and the codecs are driven from hardware acceleration to offload some encoding flows from ARM. Video surveillance can be designed without concerns of video format support, constrained network bandwidth, or limited system storage capacity.

The SN98680 Series features image signal processor (ISP) for image quality improvement and triple-path image output. Along with the ISP, the 2.4 GHz RF transceivers, 10/100M Ethernet, USB 2.0 host/device, SD/SDIO, 16-bit ADC, 10-bit DAC, and other programmable peripherals makes the SN98680 Series suitable for various multimedia embedded system applications such as IP cameras, dash-cams, drones, and backup cams.

The SN98680 Series provides optional DDR2 sizes and supports the majority types of CMOS sensors and LCD panels. With Linux and RTOS environment options, the SN98680 Series offers developers flexibility to select the preferred OS environment best suited for their unique designs.

Specifications

Hardware Feature	Description
CPU	ARM926EJ-S processor 402 MHz with 16 KB I-cache and 16 KB D-cache
Memory	<ul style="list-style-type: none"> Frequency up to 402 MHz, 16-bit data bus SN98681: SiP DDR2 64MB SN98682: SiP DDR2 128MB
CMOS Sensor Interface	<ul style="list-style-type: none"> Parallel data input (10-bits RAW and YUV 4:2:2) MIPI CSI-2 (up to 804 Mbps) with two data lanes x 1 or one data lane x 2 that supports up to 2 video channel inputs Two UVC cam inputs connected via the USB hosts with an extra USB Hub
ISP	Supports 2D and 3D NR/WDR/DIS/vLDC/AE/AWB/AF and alpha-blending OSD
Baseband	<ul style="list-style-type: none"> 2.4 GHz RF transceivers supporting AMICCOM A7121 (3 Mbps), AMICCOM A7130 (4 Mbps) and AMICCOM A7196 (6 Mbps) Supports ID paring for security One-way video, two-way audio, and two-way short data Supports point-to-point mode Supports antenna diversity option to improve link performance PA/LNA and Tx/Rx control pin switch for high power RF module control Dynamic transmission power control for each RF channels Firmware protocol based adaptive frequency hopping spreading spectrum (FHSS), meet telecommunication regulations including FCC15.247 and CE ETSI EN 300 328-1 Firmware protocol for anti-interference algorithm Supports multi-Tx to one-Rx mode, up to 4T1R
Video Codec	<ul style="list-style-type: none"> H.264 BP/MP/HP Level 4.1 codec and baseline JPEG codec Rate control supporting auto region of interest (AROI) or manual region of interest (MROI) for eight regions Flexible multi-streams Triple-path output
Sensor Resolution and Format	Super HD (2304 x 1296), QXGA (2048 x 1536), UXGA (1600 x 1200), 1080P (1920 x 1080), SXGA (1280 x 1024), 720P (1280 x 720), VGA (640 x 480) with CMOS ISP/Bayer RAW sensors
LCD	<ul style="list-style-type: none"> 8080 8-bit data width, 2 bytes for 1 pixel, RGB565 8080 8-bit data width, 3 bytes for 1 pixel, RGB888 RGB-dummy YUV422 sensor interface BT.656/BT.601

Hardware Feature	Description
TV Output	<ul style="list-style-type: none"> • BT.656/BT.601 • CVBS output NTSC/PAL
LCD Resolution	Up to 1920 x 1080 @60 fps
Audio Codec	16-bit sigma-delta ADC and 10-bit R2R DAC
Ethernet	10/100M EtherMAC with RMII interface x1
USB 2.0	<ul style="list-style-type: none"> • Host controller x1 • Host/device option x1 • High speed forward compatible with full-speed mode • UVB ISO accelerator of USB host
OSD	<ul style="list-style-type: none"> • Text mode in four colors in ISP • Graphic mode in 256 colors for image merging • Graphic mode in 256 colors for LCD
SD/SDIO	Three controllers compliant with SD/SDIO specification version 1.0/1.1/2.0 with capacity up to 128 GB
DMA Controller	Four channels supporting memory-to-memory transfers
CRC	CRC-N codec
Timer	Three sets of three independent 32-bit timer programming model
Watchdog Timer	Two sets
I ² C	Two sets
SPI	One set
UART	<ul style="list-style-type: none"> • Two sets, baud rates: 9600, 19200, 38400, 51200, 115200 and up to 12 Mbps • Supports flow control (CTS/RTS)
PWM	16 with pinmux options
GPIO	21 with pinmux options
Voltage	<ul style="list-style-type: none"> • Core: 1.05 V to 1.15 V (1.1 V typical) • DRAM: 1.7 V to 1.9 V (1.8V typical) • I/O: 3.0 V to 3.6 V (3.3 V typical)
Package	LQFP128-EP (14 x 14 x 1.4 mm)

Functional Block Diagram

USB Host	USB Host/Device	EtherMAC	SPI	RF SPI x2
Sensor Input Interface	ISP		Video Codec	
				LCD
				TV Output
Serial Flash	ARM926EJ-S with 16 KB I/D-cache			GPIO x21
I ² C x2	DMA Controller			UART x2
SD/SDIO x2	64 MB/128 MB DDR2	Audio Codec		PWM x16
5-ch ADC	WDT x2	Timer x3	RTC	I ² S

Absolute Maximum Ratings^{1 2}

Parameter		Rating	Unit
Supply voltage ranges	All 1.10 V supplies	-0.30 to 1.21	V
	All 1.80 V supplies	-0.30 to 1.90	

¹ Long-term exposure to absolute maximum ratings may affect device reliability, and permanent damage may occur if the operation exceeds the maximum ratings.

² All voltage values are with respect to VSS



Parameter	Rating	Unit
Supply voltage ranges	All 2.50 V supplies	-0.30 to 2.75
	All 3.30 V supplies	-0.30 to 3.60
Input voltage ranges	All 1.80 V I/Os	-0.30 to 1.90
	All 3.30 V I/Os	-0.30 to 3.60
Operating case temperature ranges (T _c)	0 to 70	°C
Storage temperature ranges (T _{STG})	-40 to 150	

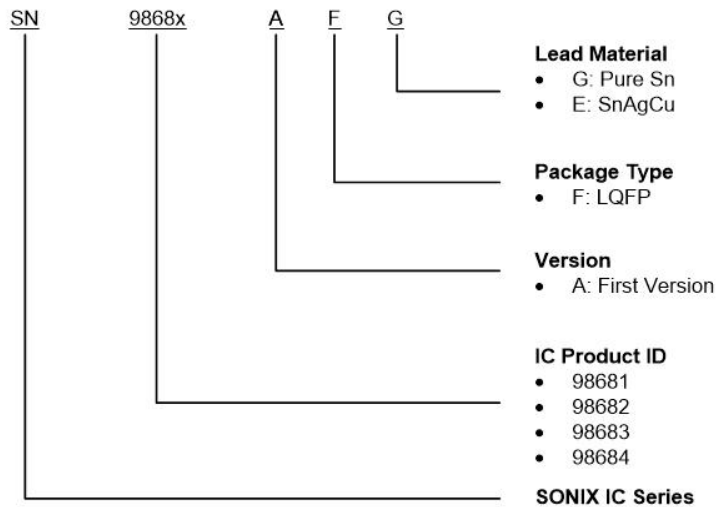
Electrical Characteristics

Parameter	Conditions	Limits			Unit
		MIN.	TYP.	MAX.	
Input Voltage, I/O	V _{IL}	-0.30	–	0.80	V
	V _{IH}	2.00	–	3.60	
Output Voltage	V _{OL}	–	–	0.40	V
	V _{OH}	2.40	–	–	
Output Current	I _{OL} 4mA	8.5	12.9	17.4	mA
	I _{OL} 8mA	12.7	19.3	25.9	
	I _{OL} 12mA	16.9	25.6	34.1	
	I _{OL} 16mA	21.0	31.9	42.5	
	I _{OH} 4mA	13.4	26.5	45.0	
	I _{OH} 8mA	18.7	37.0	62.8	
	I _{OH} 12mA	24.0	47.5	80.5	
	I _{OH} 16mA	32.0	63.2	107.1	

Nomenclature

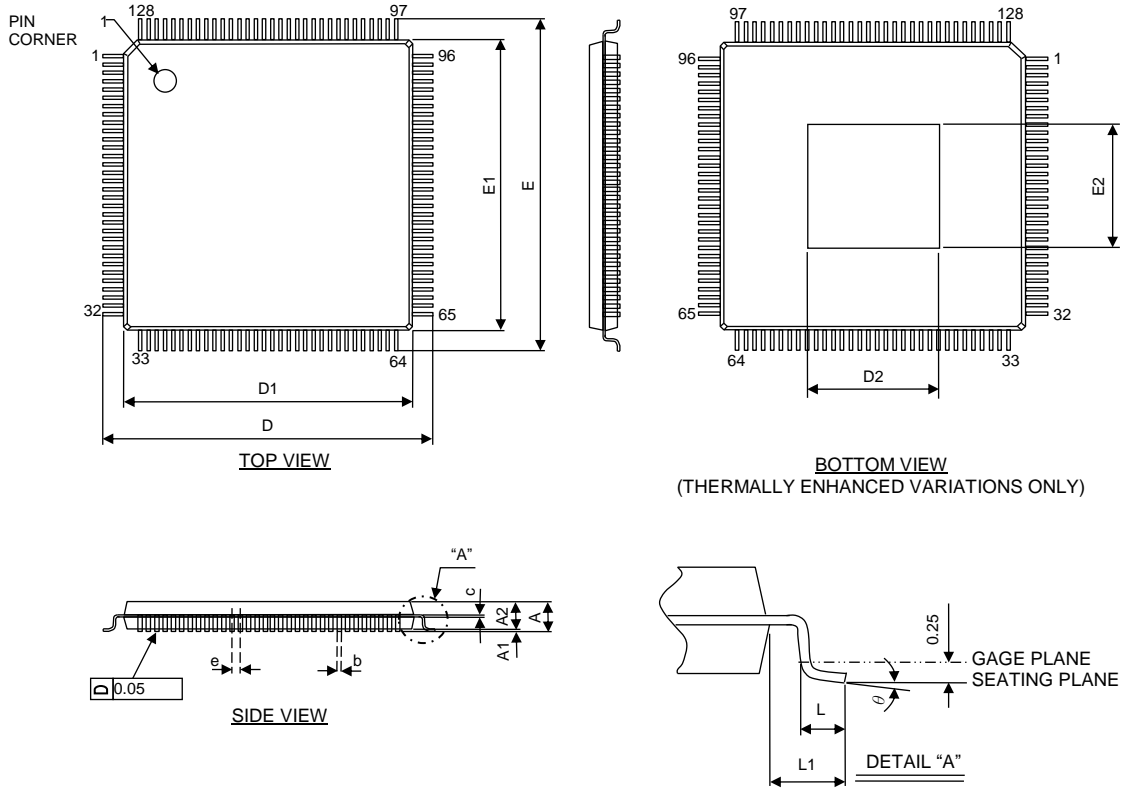


LOGO
 Product ID
 DATACODE +  (SONIX) +  (ECO-Friendly Products)



Packaging Dimensions

LQFP128L-EP (14 x 14 x 1.4 mm, Pitch: 0.4 mm)



Symbols	Dimension in mm ³			Dimension in inch		
	MIN.	NOM.	MAX.	MIN.	NOM.	MAX.
A	--	--	1.60	--	--	0.063
A1	0.05	--	0.15	0.002	--	0.006
A2	1.35	1.40	1.45	0.053	0.055	0.057
b ⁴	0.13	0.18	0.23	0.005	0.007	0.009
c	0.09	--	0.20	0.004	--	0.008
D	16.00 BSC			0.630 BSC		
D1 ⁵	14.00 BSC			0.551 BSC		
E	16.00 BSC			0.630 BSC		
E1 ³	14.00 BSC			0.551 BSC		
e	0.40 BSC			0.016 BSC		
L	0.45	0.60	0.75	0.018	0.024	0.030
L1	1.00 REF			0.039 REF		
θ	0°	3.5°	7°	0°	3.5°	7°
Thermal Enhanced Dimensions						
D2	5.10	6.10	7.10	0.201	0.240	0.280
E2	5.10	6.10	7.10	0.201	0.240	0.280

³ Controlling dimension: millimeter(mm)

⁴ Dimension b does not include dambar protrusion

⁵ Dimension D1 and E1 do not include mold protrusion

Revision History

Date	Revision	Description
19-Oct-2017	Preliminary A	Initial release

TERMS AND CONDITIONS

1. **Content:** Sonix Technology Co. Ltd. ("Sonix") provides the information in this Data Sheet as a convenient reference for its customers who use its products. While Sonix takes care to prepare this information, it may contain typographical errors or outdated technical information as Sonix will continue to update its integrated chip products with enhancements, improvements and other changes to better serve the needs of its customers. This Data Sheet covers products offered in Taiwan and may not reflect the products offered in other countries. Users of this Data Sheet should inquire of the appropriate Sonix representative to obtain the latest relevant information concerning the product(s) in question before placing their order. All Sonix's products are sold subject to Sonix's terms and conditions of sale that are supplied at the time of order.

2. **No Warranty:** The information contained herein is presented only as a reference for product use. Unless expressly set forth otherwise, Sonix does not warrant or represent that any license, either express or implied, is granted by this Data Sheet relating to any combination, machine, or process in which Sonix products are used (or to be used). Information in this Data Sheet regarding third-party products is not a license for use of such products, or a warranty or endorsement thereof. No license to any intellectual property is granted by this document, whether express or implied, by estoppel or otherwise. Absent a written signed agreement or except as provided in the relevant terms and conditions of sale for the products, and to the maximum extent allowable by law, (1) SONIX ASSUMES NO LIABILITY WHATSOEVER, INCLUDING WITHOUT LIMITATION, INDIRECT, CONSEQUENTIAL, SPECIAL, OR INCIDENTAL DAMAGES OR LOSS, INCLUDING WITHOUT LIMITATION, LOSS OF PROFITS, LOSS OF OPPORTUNITIES, BUSINESS INTERRUPTION, AND LOSS OF DATA, AND (2) SONIX DISCLAIMS ANY AND ALL EXPRESS OR IMPLIED WARRANTIES AND CONDITIONS RELATED TO SALE, USE OF PRODUCT, OR INFORMATION, INCLUDING WARRANTIES OR CONDITIONS OF MERCHANTABILITY, FITNESS FOR A PARTICULAR PURPOSE, ACCURACY OF INFORMATION, OR NONINFRINGEMENT.

3. **Customers' Use:** SONIX ASSUMES NO LIABILITY FOR CUSTOMERS' PRODUCT DESIGNS OR APPLICATIONS of the products covered by the Data Sheet. While from time to time Sonix may be asked to assist users of its products, Sonix assumes no liability for assistance with, or the design of, users' own application of Sonix's products, including but not limited to: (a) determining the appropriateness of the use of Sonix products in the desired design or application; (b) evaluating and determining the applicability of any information contained in this Data Sheet, or in charts, diagrams, programs, algorithms, sample application circuits, or other referenced documents; and (c) validating all operating parameters for such designs and applications. Finally, Sonix products shall not be used for, or incorporated into, any products or systems whose manufacture, use, or sale is prohibited under any applicable laws or regulations.

4. **Improper & Unintended Use:** SONIX'S PRODUCTS ARE NOT INTENDED NOR WARRANTED FOR USE IN EQUIPMENTS OR SYSTEMS THAT REQUIRE EXTRAORDINARILY HIGH LEVELS OF QUALITY OR RELIABILITY, OR A MALFUNCTION OR FAILURE OF WHICH MAY CAUSE LOSS OF HUMAN LIFE, BODILY INJURY, SERIOUS PROPERTY DAMAGE, OR SERIOUS PUBLIC IMPACT ("UNINTENDED USE"). Unintended Use includes, without limitation, equipment used in nuclear facilities, equipment used in the military or aerospace industry, medical equipment, equipment used for automobiles, trains, ships, and other transportation, traffic signaling equipment, equipment used to control combustions or explosions, safety devices, elevators, and escalators, devices related to electric power, and equipment used in finance-related fields. Further, only those products that Sonix has specifically designated as "military grade" are designed and intended for use in military or aerospace applications or environments. Users acknowledge and agree that any military or aerospace use of Sonix products that have not been so designated is solely at the user's risk, and that the user is solely responsible for compliance with all legal and regulatory requirements in connection with such use.

Headquarter

10F-1, No.36, Taiyuan Street,
Zhubei City, Hsinchu, Taiwan
Tel: +886-3-5600-888
Fax: +886-3-5600-889
<http://www.sonix.com.tw/masterpage-en>

Taipei Office

15F-2, No.171, Song Ted Road,
Taipei, Taiwan
Tel: +886-2-2759-1980
Fax: +886-2-2759-8180
mkt@sonix.com.tw | sales@sonix.com.tw

Hong Kong Office

Unit 2603, 26/F CCT Telecom Building,
No. 11, Wo Shing Street, Fo Tan,
New Territories, Hong Kong
Tel: +852-2723-8086

United States Representative

Tim Lightbody
Tel: +1-714-330-9877
usa@sonix.com.tw