

 **SONiX Technology Co., Ltd.**

# SN8F5900 Family Packaging Information V1.1

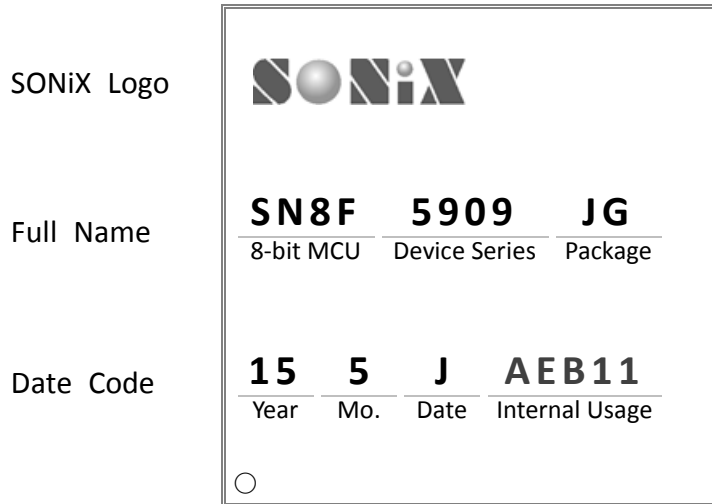
---

8051-based Microcontroller

## 1 Overview of Packaging Information

This documentation introduces SN8F5900 family microcontrollers' mechanical data, such as height, width and pitch information.

In general, every SONiX microcontroller displays three columns: logo, device's full name and date code. The full name's package field maps to its package type; whereas the date code records the date of manufacture.



### Date Code

Year	15: 2015 16: 2016 17: 2017 et cetera
------	---

Month	1: January 2: February 3: March A: October B: November C: December et cetera
-------	--

Date	1: 01 2: 02 3: 03 A: 10 B: 11 et cetera
------	--

**2 Table of Contents**

1 Overview of Packaging Information ..... 2  
2 Table of Contents ..... 3  
3 Revision History ..... 4  
4 LQFP (FG) ..... 5

### 3 Revision History

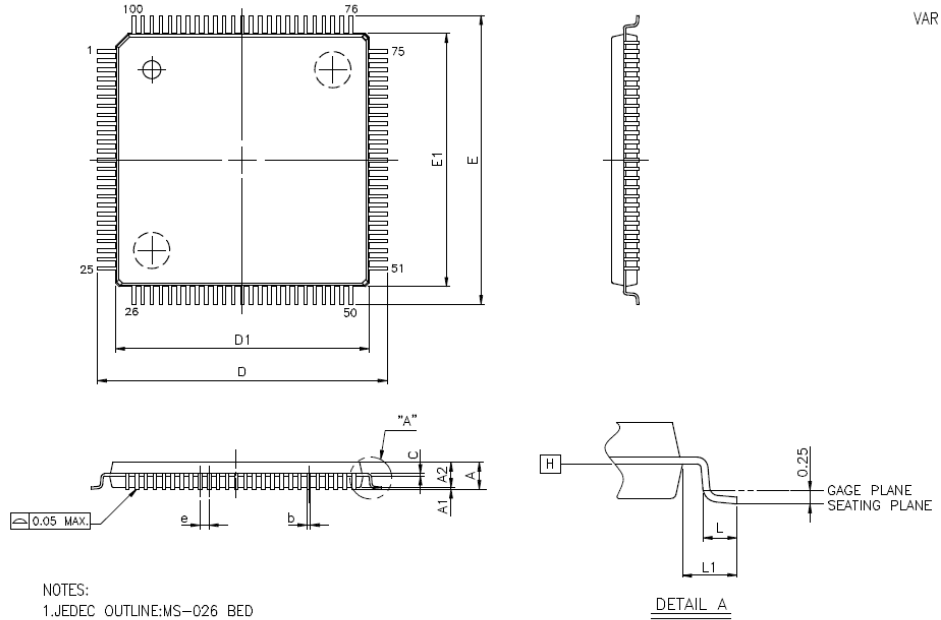
Revision	Date	Description
1.0	April. 2016	First issue.
1.1	Step. 2016	Modify LQFP64 & LQFP 80 Size value

SONIX reserves the right to make change without further notice to any products herein to improve reliability, function or design. SONIX does not assume any liability arising out of the application or use of any product or circuit described herein; neither does it convey any license under its patent rights nor the rights of others. SONIX products are not designed, intended, or authorized for use as components in systems intended, for surgical implant into the body, or other applications intended to support or sustain life, or for any other application in which the failure of the SONIX product could create a situation where personal injury or death may occur. Should Buyer purchase or use SONIX products for any such unintended or unauthorized application. Buyer shall indemnify and hold SONIX and its officers, employees, subsidiaries, affiliates and distributors harmless against all claims, cost, damages, and expenses, and reasonable attorney fees arising out of, directly or indirectly, any claim of personal injury or

death associated with such unintended or unauthorized use even if such claim alleges that SONiX was negligent regarding the design or manufacture of the part.

## 4 LQFP (FG)

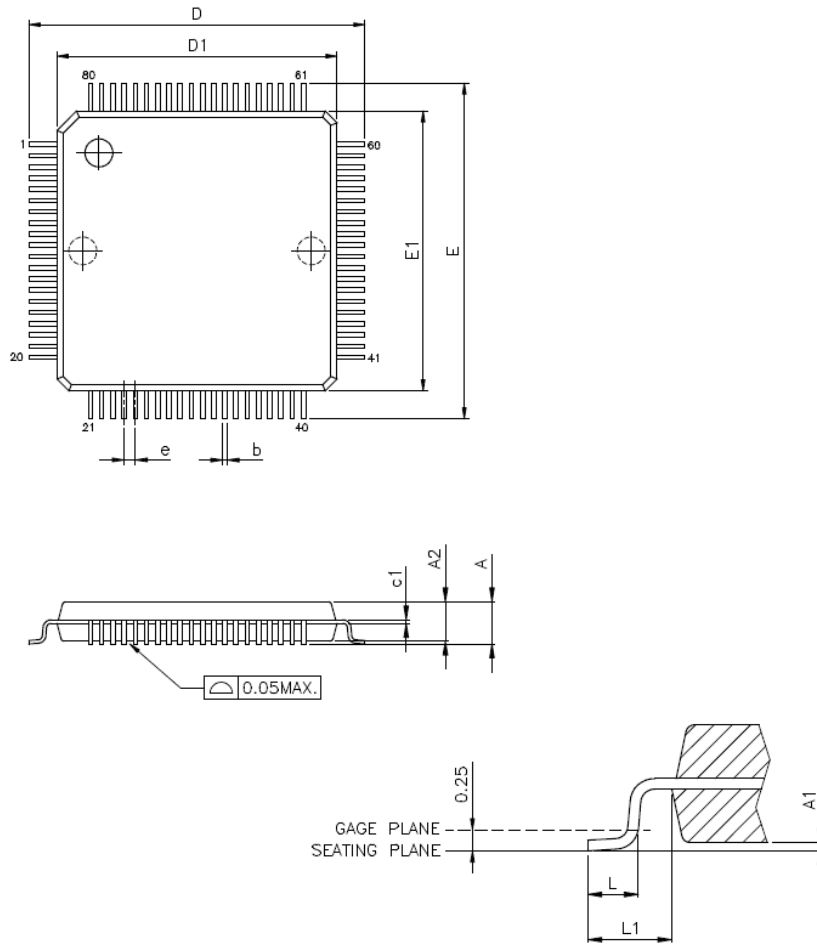
### 4.1 LQFP100



- NOTES:
1. JEDEC OUTLINE: MS-026 BED
  2. DATUM PLANE [H] IS LOCATED AT THE BOTTOM OF THE MOLD PARTING LINE COINCIDENT WITH WHERE THE LEAD EXITS THE BODY.
  3. DIMENSIONS D1 AND E1 DO NOT INCLUDE MOLD PROTRUSION. ALLOWABLE PROTRUSION IS 0.25 mm PER SIDE. DIMENSIONS D1 AND E1 DO INCLUDE MOLD MISMATCH AND ARE DETERMINED AT DATUM PLANE [H].
  4. DIMENSION b DOES NOT INCLUDE DAMBAR PROTRUSION.

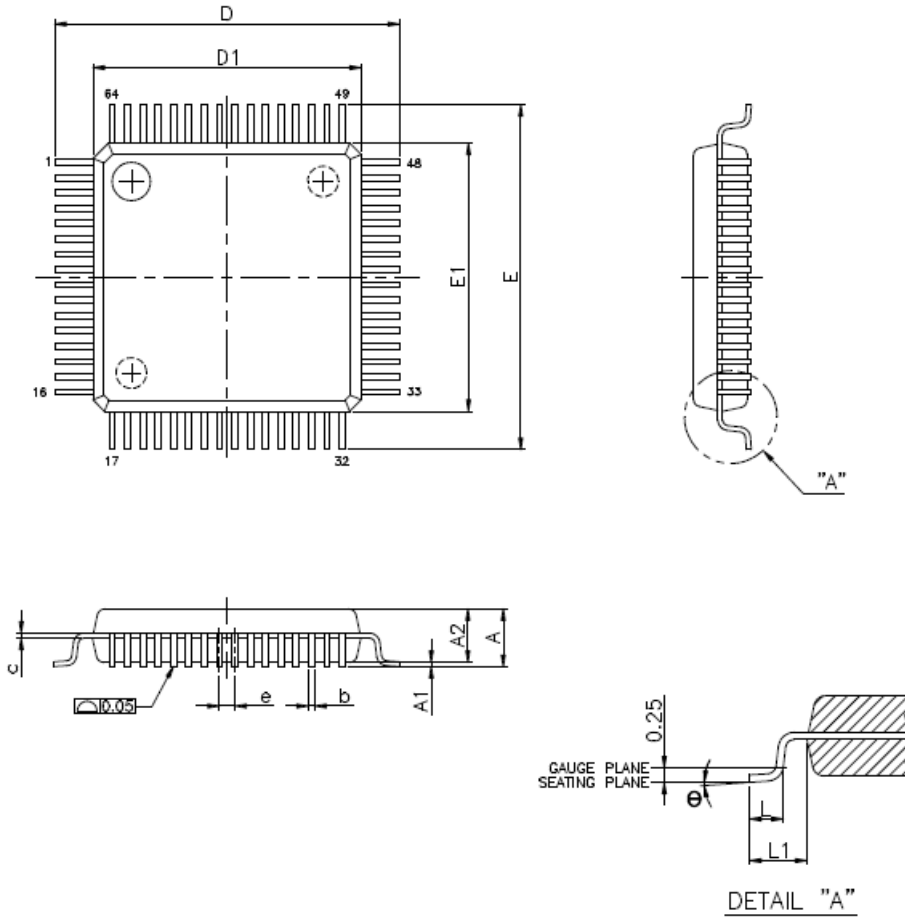
	Min	Typical (inch)	Max	Min	Typical (mm)	Max
A			0.063			1.6
A1	0.002		0.006	0.05		0.15
A2	0.053		0.057	1.35		1.45
C	0.004		0.008	0.09		0.20
D		0.630 BSC			16 BSC	
D1		0.551 BSC			14 BSC	
E		0.630 BSC			16 BSC	
E1		0.551 BSC			14 BSC	
e		0.020 BSC			0.5 BSC	
B	0.007		0.011	0.17		0.27
L	0.018		0.030	0.45		0.75
L1		0.039 REF			1.00 REF	

**4.2 LQFP80**



	Min	Typical (inch)	Max	Min	Typical (mm)	Max
A			0.063			1.6
A1	0.002		0.006	0.05		0.15
A2	0.053		0.057	1.35		1.45
c1	0.004		0.006	0.09		0.16
D		0.473 BSC			12 BSC	
D1		0.393 BSC			10 BSC	
E		0.473 BSC			12 BSC	
E1		0.393 BSC			10 BSC	
e		0.016 BSC			0.4 BSC	
B	0.005		0.009	0.13		0.23
L	0.018		0.030	0.45		0.75
L1		0.039 REF			1.00 REF	

**4.3 LQFP64**



	Min	Typical (inch)	Max	Min	Typical (mm)	Max
A			0.063			1.6
A1	0.002		0.006	0.05		0.15
A2	0.053		0.057	1.35		1.45
c	0.004		0.008	0.09		0.20
D		0.354 BSC			9 BSC	
D1		0.276 BSC			7 BSC	
E		0.354 BSC			9 BSC	
E1		0.276 BSC			7 BSC	
e		0.016 BSC			0.4 BSC	
b	0.005		0.009	0.13		0.23
L	0.018		0.030	0.45		0.75
L1		0.039 REF			1.00 REF	

# SN8F5900 Family Packaging Information

## 8051-based Microcontroller

### **Corporate Headquarters**

10F-1, No. 36, Taiyuan St.  
Chupei City, Hsinchu, Taiwan  
TEL: +886-3-5600888  
FAX: +886-3-5600889

### **Taipei Sales Office**

15F-2, No. 171, Songde Rd.  
Taipei City, Taiwan  
TEL: +886-2-27591980  
FAX: +886-2-27598180  
mkt@sonix.com.tw  
sales@sonix.com.tw

### **Hong Kong Sales Office**

Unit 2603, No. 11, Wo Shing St.  
Fo Tan, Hong Kong  
TEL: +852-2723-8086  
FAX: +852-2723-9179  
hk@sonix.com.tw

### **Shenzhen Contact Office**

High Tech Industrial Park,  
Shenzhen, China  
TEL: +86-755-2671-9666  
FAX: +86-755-2671-9786  
mkt@sonix.com.tw  
sales@sonix.com.tw

### **USA Office**

TEL: +1-714-3309877  
TEL: +1-949-4686539  
tlightbody@earthlink.net

### **Japan Office**

2F, 4 Chome-8-27 Kudanminami  
Chiyoda-ku, Tokyo, Japan  
TEL: +81-3-6272-6070  
FAX: +81-3-6272-6165  
jpsales@sonix.com.tw

### **FAE Support via email**

8-bit Microcontroller Products:  
sa1fae@sonix.com.tw  
All Products: fae@sonix.com.tw