

SONiX

Product / Process Change Management System



Product / Process Change Management System

◆ Purpose

- To define the product/process change procedure, and ensure that product quality can conform to customer satisfaction.

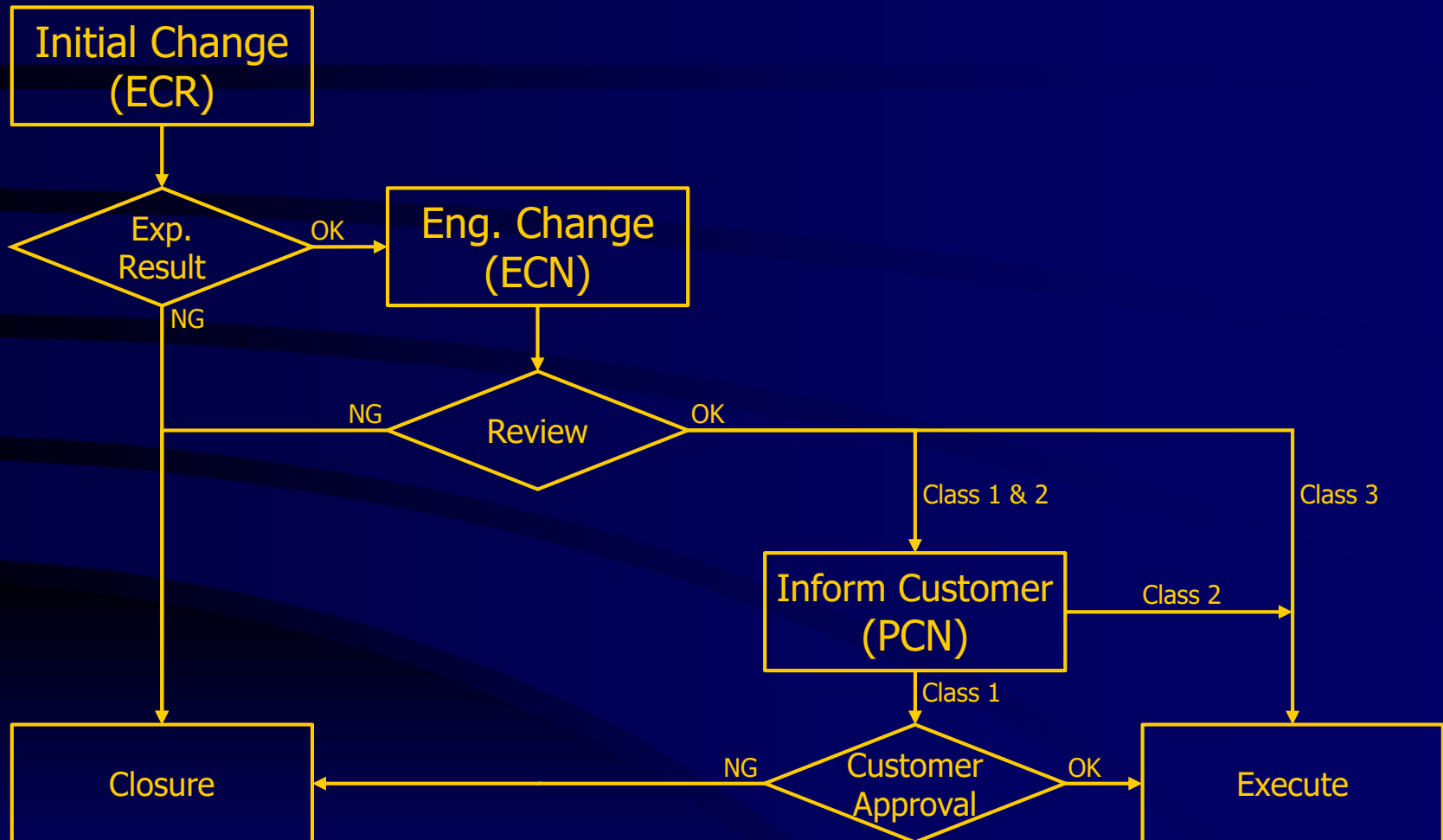
◆ Scope

- Change request from Supplier
- Change request from SONiX
- Change request from customer
- Change request from legal compliance

PS : Reference Standard : Procedure of product/process change management(S2-QM-011)

Product / Process Change Management System

◆ Product / Process Change Management Flow



ECR : Engineering Change Request
ECN : Engineering Change Notice
PCN : Product /Process Change Notice

Thanks

